

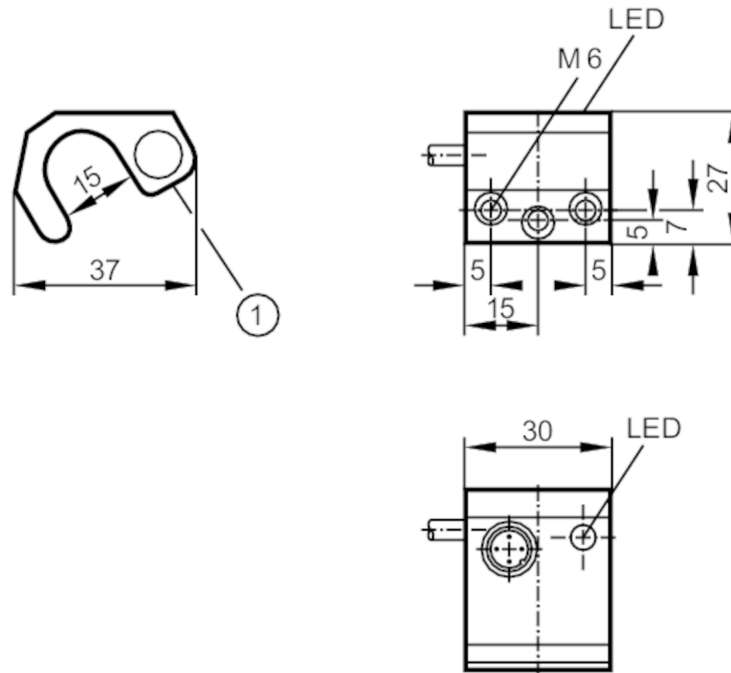
# MK5039



## Cylinder sensor for integrated profile cylinders

MKP3000-ANKG

Article no longer available - archive entry



1 Sensing face



### Product characteristics

Electrical design	NPN
Output function	normally open
Dimensions [mm]	37 x 30 x 27

### Electrical data

Operating voltage [V]	10...30 DC
Current consumption [mA]	< 10
Reverse polarity protection	yes
Max. power-on delay time [ms]	2

### Outputs

Electrical design	NPN
Output function	normally open
Max. voltage drop switching output DC [V]	2
Permanent current rating of switching output DC [mA]	300
Switching frequency DC [Hz]	5000
Short-circuit protection	yes
Type of short-circuit protection	pulsed
Overload protection	yes

# MK5039

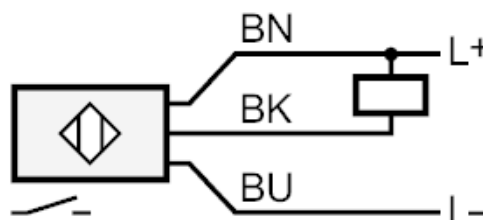


## Cylinder sensor for integrated profile cylinders

MKP3000-ANKG

Detection zone		
Response sensitivity	[mT]	3
Travel speed	[m/s]	< 5
Accuracy / deviations		
Hysteresis	[mm]	1
Repeatability	[mm]	0.1
Operating conditions		
Ambient temperature	[°C]	-25...75
Protection		IP 67
Tests / approvals		
EMC	EN 60947-5-2	
	EN 55011	class B
Shock/vibration resistance	30 g (11 ms) / 10-55 Hz (1 mm)	
Mechanical data		
Sensing face	front	
Cylinder type	integrated profile cylinders	
Dimensions	[mm]	37 x 30 x 27
Materials	aluminium; plastics	
Displays / operating elements		
Display	switching status	1 x LED, yellow
Remarks		
Pack quantity	1 pcs.	
Electrical connection		
Cable: 2 m, PUR / PVC; 3 x 0.25 mm <sup>2</sup>		

### Connection



Core colours :

- BN = brown
- BU = blue
- BK = black