

# MK5008



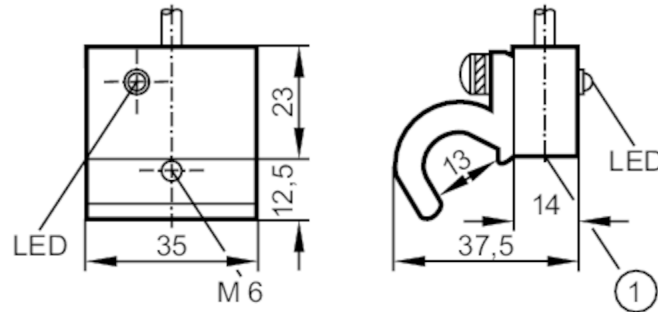
## Cylinder sensor for tie-rod cylinder

MKZ3000-BPKG

Article no longer available - archive entry

Alternative articles: MK5115 + E11799

When selecting an alternative article and accessories please note that technical data may differ!



1 Sensing face



### Product characteristics

Electrical design	PNP
Output function	normally open
Dimensions [mm]	37.5 x 35 x 35.5

### Electrical data

Operating voltage [V]	10...30 DC
Current consumption [mA]	< 10
Reverse polarity protection	yes
Max. power-on delay time [ms]	2

### Outputs

Electrical design	PNP
Output function	normally open
Max. voltage drop switching output DC [V]	2
Permanent current rating of switching output DC [mA]	300
Switching frequency DC [Hz]	5000
Short-circuit protection	yes
Type of short-circuit protection	pulsed
Overload protection	yes

### Detection zone

Response sensitivity [mT]	3
Travel speed [m/s]	< 5

### Accuracy / deviations

Hysteresis [mm]	1
Repeatability [mm]	0.1

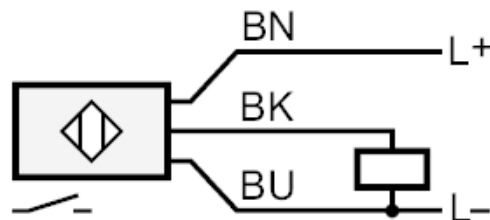
# MK5008



## Cylinder sensor for tie-rod cylinder

MKZ3000-BPKG

Operating conditions		
Ambient temperature	[°C]	-25...75
Protection		IP 67
Tests / approvals		
EMC		EN 60947-5-2
Shock/vibration resistance		30 g (11 ms) / 10-55 Hz (1 mm)
Mechanical data		
Sensing face		front
Cylinder type		tie rod cylinders
Dimensions	[mm]	37.5 x 35 x 35.5
Materials		housing: plastics; mounting adapter: aluminium
Displays / operating elements		
Display	switching status	1 x LED, yellow
Remarks		
Pack quantity		1 pcs.
Electrical connection		
Cable: 2 m, PUR / PVC; 3 x 0.25 mm <sup>2</sup>		
Connection		



Core colours :

BN =	brown
BU =	blue
BK =	black