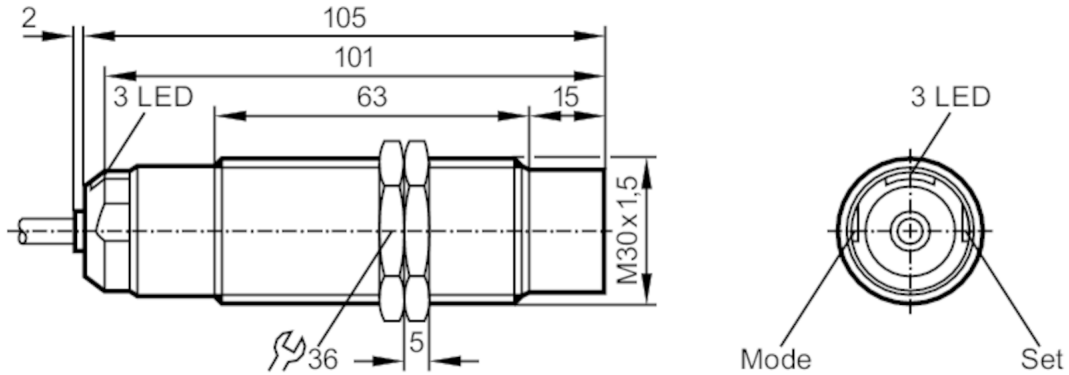




## Capacitive sensor

KNM30NUAFBOW/SLJOF

Article no longer available - archive entry



### Product characteristics

Output function		normally open / normally closed; (selectable)
Sensing range	[mm]	sensing range programmable
Housing		threaded type
Dimensions	[mm]	M30 x 1.5 / L = 105

### Application

Special feature		Optical setting aid
Installation		detection through non-metallic container walls
Media		dry bulk material; liquids
Medium temperature	[°C]	-25...100

### Electrical data

Frequency AC	[Hz]	47...63
Operating voltage	[V]	30...250 AC
Protection class		I

### Outputs

Output function		normally open / normally closed; (selectable)
Max. voltage drop switching output AC	[V]	10
Minimum load current	[mA]	5
Max. leakage current	[mA]	2.5 (250 V) / 1.7 (110 V)
Permanent current rating of switching output AC	[mA]	150; (200 (...40 °C))
Short-time current rating of switching output	[mA]	1000; (20 ms / 0,5 Hz)
Switching frequency AC	[Hz]	5

### Detection zone

Sensing range	[mm]	sensing range programmable
Sensing range adjustable		yes

# KN0003



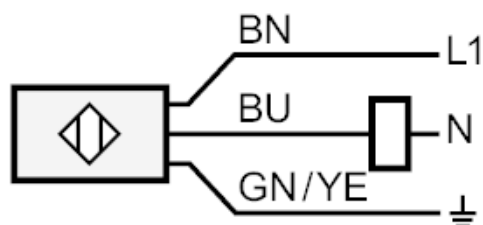
## Capacitive sensor

KNM30NUAFBOW/SLJOF

Operating conditions		
Ambient temperature [°C]	-25...80	
Protection	IP 67	
Tests / approvals		
EMC	EN 60947-5-2	
Mechanical data		
Housing	threaded type	
Mounting	non-flush mountable	
Dimensions [mm]	M30 x 1.5 / L = 105	
Thread designation	M30 x 1.5	
Materials	brass Optalloy-plated; PBT; PPS	
Displays / operating elements		
Display	switching status	1 x LED, yellow
	unsafe zone	1 x LED, red
	programming	1 x LED, green
Optical setting aid	yes	
Accessories		
Items supplied	lock nuts: 2	
Remarks		
Pack quantity	1 pcs.	

**Electrical connection**  
Cable: 2 m, PVC; 3 x 0.5 mm<sup>2</sup>

### Connection



Core colours :  
BN = brown  
BU = blue  
GN/YE = green/yellow