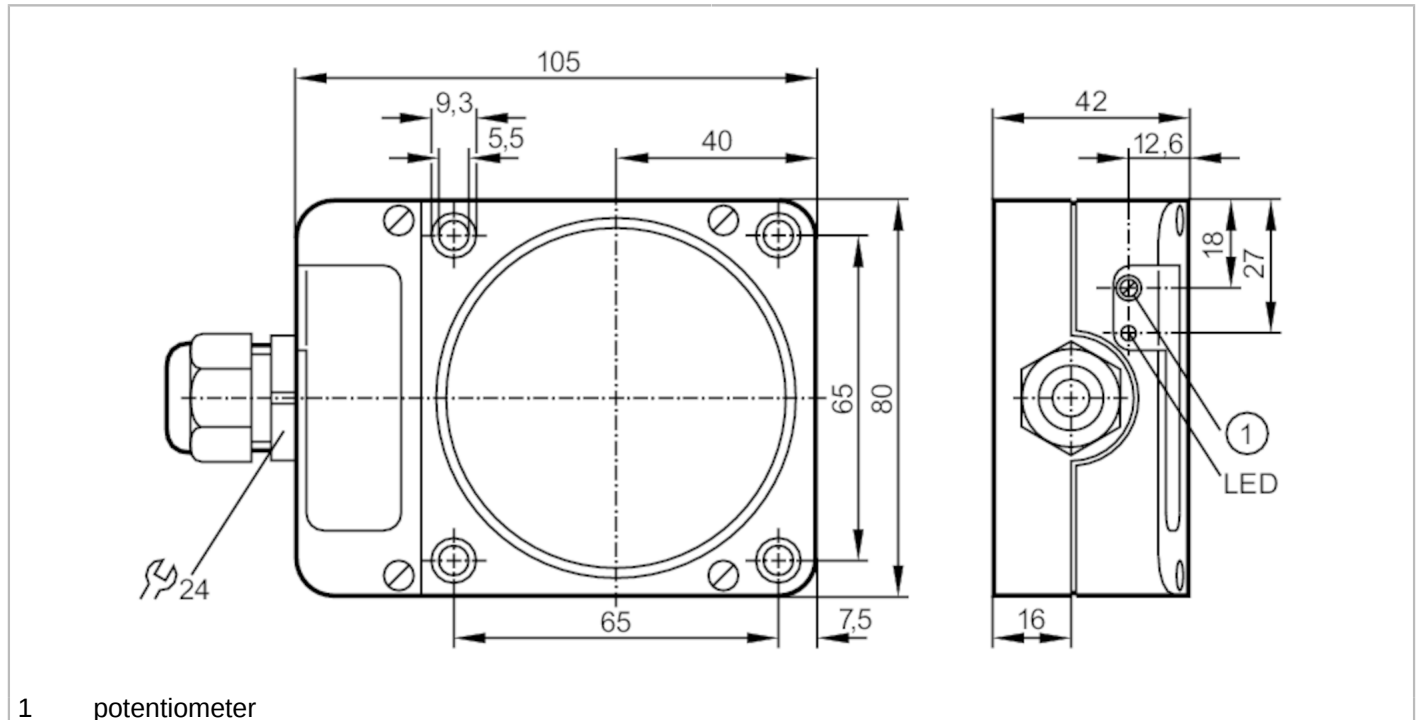


# KD501A



## Capacitive sensor

KDE3060-FPKG/NI/3D



### Product characteristics

|                   |      |   |
|-------------------|------|---|
| Electrical design |      | PNP   |
| Output function   |      | normally open / normally closed; (selectable) |
| Sensing range     | [mm] | 60  |
| Housing           |      | rectangular                                   |
| Dimensions        | [mm] | 105 x 80 x 42                                 |

### Electrical data

|                             |      |            |
|-----------------------------|------|------------|
| Operating voltage           | [V]  | 10...36 DC |
| Current consumption         | [mA] | < 15       |
| Protection class            |      | III        |
| Reverse polarity protection |      | yes        |

### Outputs


|   |      |   |
|---|------|---|
| Electrical design                               |      | PNP   |
| Output function                                 |      | normally open / normally closed; (selectable) |
| Max. voltage drop switching output DC           | [V]  | 2.5   |
| Permanent current rating of switching output DC | [mA] | 200   |
| Switching frequency DC                          | [Hz] | 10  |
| Short-circuit proof                             |      | yes   |
| Overload protection                             |      | yes   |

# KD501A



## Capacitive sensor

KDE3060-FPKG/NI/3D

| Detection zone                |                  |  |
|-------------------------------|------------------|--|
| Sensing range                 | [mm]             | 60   |
| Sensing range adjustable      |                  | yes  |
| Factory setting sensing range | [mm]             | 60   |
| Real sensing range Sr         | [mm]             | 60 ± 10 %  |
| Accuracy / deviations         |                  |  |
| Correction factor             |                  | glass: 0.4 / water: 1 / ceramics: 0.2 / PVC: 0.2   |
| Hysteresis                    | [% of Sr]        | 1...15   |
| Switch point drift            | [% of Sr]        | -15...15   |
| Operating conditions          |                  |  |
| Ambient temperature           | [°C]             | -20...60   |
| Protection                    |                  | IP 65  |
| Increased immunity            |                  | yes  |
| Tests / approvals             |                  |  |
| ATEX marking                  |                  |  II 3D Ex tc IIIC T90°C Dc X IP65 |
| EMC                           |                  | EN 60947-5-2   |
| MTTF                          | [years]          | 537  |
| Mechanical data               |                  |  |
| Weight                        | [g]              | 279  |
| Housing                       |                  | rectangular  |
| Mounting                      |                  | non-flush mountable  |
| Dimensions                    | [mm]             | 105 x 80 x 42  |
| Materials                     |                  | PPE modified; PA   |
| Tightening torque             | [Nm]             | housing screws: 0,9 Nm; screws: 4 Nm   |
| Displays / operating elements |                  |  |
| Display                       | switching status | 1 x LED, yellow  |
| Remarks                       |                  |  |
| Pack quantity                 |                  | 1 pcs.   |

# KD501A



## Capacitive sensor

KDE3060-FPKG/NI/3D

### Electrical connection

terminals: 0.34...2.5 mm<sup>2</sup>; Cable sheath: Ø 5...9 mm; Cable gland: M20 X 1.5

### Connection

