

IV5006



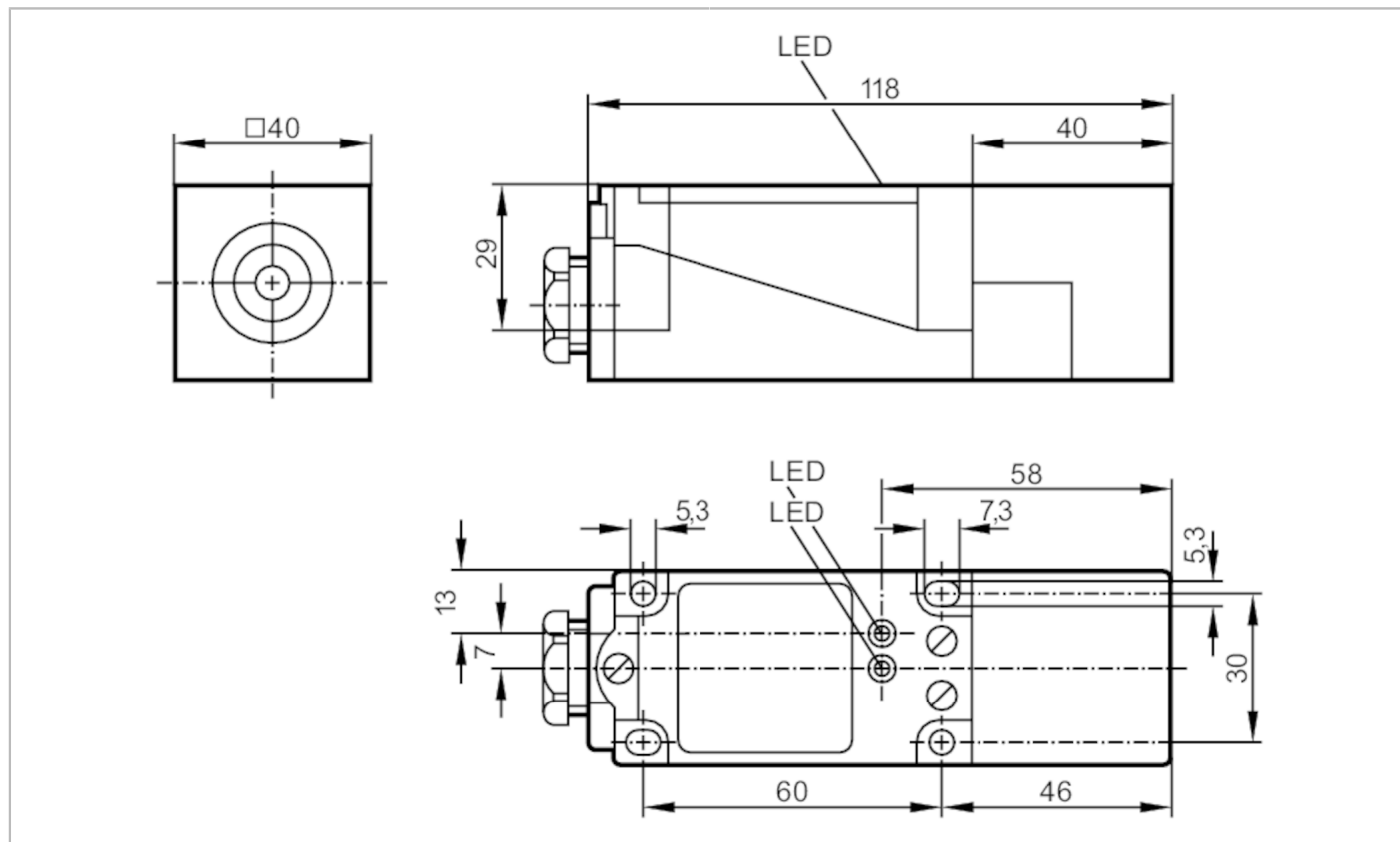
Inductive sensor

IVE3020ZBPKG

Article no longer available - archive entry

Alternative articles: IV5053

When selecting an alternative article and accessories please note that technical data may differ!



Product characteristics

| | | |
|-------------------|------|---------------|
| Electrical design | | PNP |
| Output function | | normally open |
| Sensing range | [mm] | 20 |
| Housing | | rectangular |
| Dimensions | [mm] | 40 x 40 x 118 |

Electrical data

| | | |
|-----------------------------|------|------------|
| Operating voltage | [V] | 10...30 DC |
| Current consumption | [mA] | 20; (24 V) |
| Protection class | | II |
| Reverse polarity protection | | yes |

IV5006



Inductive sensor

IVE3020ZBPKG

| Outputs | | |
|---|------------------|--|
| Electrical design | | PNP |
| Output function | | normally open |
| Max. voltage drop switching output DC | [V] | 3 |
| Permanent current rating of switching output DC | [mA] | 200 |
| Switching frequency DC | [Hz] | 150 |
| Short-circuit protection | | yes |
| Type of short-circuit protection | | pulsed |
| Overload protection | | yes |
| Detection zone | | |
| Sensing range | [mm] | 20 |
| Real sensing range Sr | [mm] | 20 ± 10 % |
| Operating distance | [mm] | 0...16.2 |
| Accuracy / deviations | | |
| Correction factor | | steel: 1 / stainless steel: 0.7 / brass: 0.4 / aluminium: 0.3 / copper: 0.2 |
| Hysteresis | [% of Sr] | 1...15 |
| Switch point drift | [% of Sr] | -10...10 |
| Operating conditions | | |
| Ambient temperature | [°C] | -25...100 |
| Protection | | IP 67 |
| Tests / approvals | | |
| EMC | EN 60947-5-2 | class B |
| | EN 55011 | |
| Mechanical data | | |
| Housing | | rectangular |
| Mounting | | non-flush mountable |
| Dimensions | [mm] | 40 x 40 x 118 |
| Materials | | PBT |
| Displays / operating elements | | |
| Display | switching status | 1 x LED, yellow |
| | operation | 1 x LED, green |
| Remarks | | |
| Remarks | | 5 positions of the active zone possible Cable gland (E11270) to be ordered separately |
| Pack quantity | | 1 pcs. |

IV5006



Inductive sensor

IVE3020ZBPKG

Electrical connection

terminals: ...2.5 mm²

Connection

