

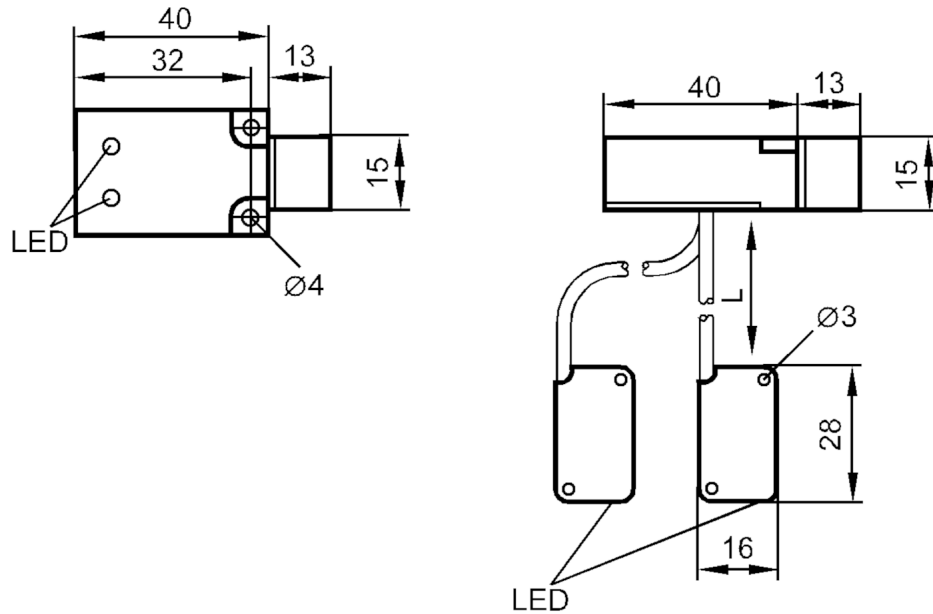
IS9202



Inductive sensor

ISD2002DARKG/US

Article no longer available - archive entry



1 L = 25 mm



Product characteristics

Electrical design	PNP
Output function	normally open
Sensing range [mm]	2
Housing	rectangular
Dimensions [mm]	28 x 16 x 40

Electrical data

Operating voltage [V]	10...55 DC
Reverse polarity protection	yes

Outputs

Electrical design	PNP
Output function	normally open
Max. voltage drop switching output DC [V]	3.7
Minimum load current [mA]	4
Max. leakage current [mA]	0.7
Permanent current rating of switching output DC [mA]	100
Switching frequency DC [Hz]	1000
Short-circuit protection	yes
Type of short-circuit protection	pulsed
Overload protection	yes

IS9202



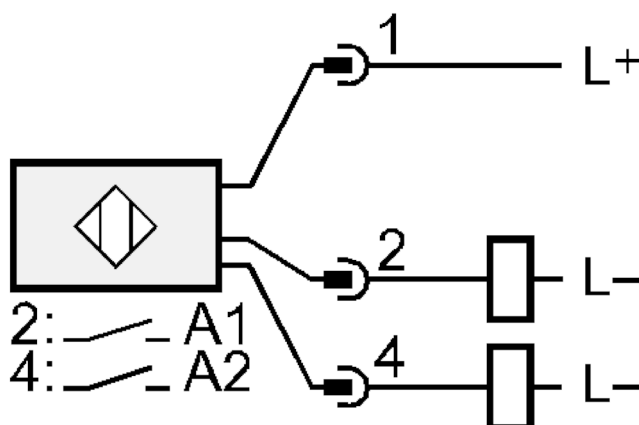
Inductive sensor

ISD2002DARKG/US

Detection zone		
Sensing range	[mm]	2
Real sensing range S_r	[mm]	$2 \pm 10\%$
Operating distance	[mm]	0...1.6
Accuracy / deviations		
Correction factor		steel: 1 / stainless steel: 0.7 / brass: 0.4 / aluminium: 0.3 / copper: 0.2
Hysteresis	[% of S_r]	1...15
Switch point drift	[% of S_r]	-10...10
Operating conditions		
Ambient temperature	[°C]	-25...60
Protection		IP 65
Tests / approvals		
EMC		EN 60947-5-2
Mechanical data		
Housing		rectangular
Mounting		flush mountable
Dimensions	[mm]	28 x 16 x 40
Materials		PBT
Displays / operating elements		
Display	switching status	2 x LED, yellow
	operation	2 x LED, green
Remarks		
Remarks		max. tightening torque 0.5 Nm with washer
Pack quantity		1 pcs.

Electrical connection

Connection



Connector: 1 x M12