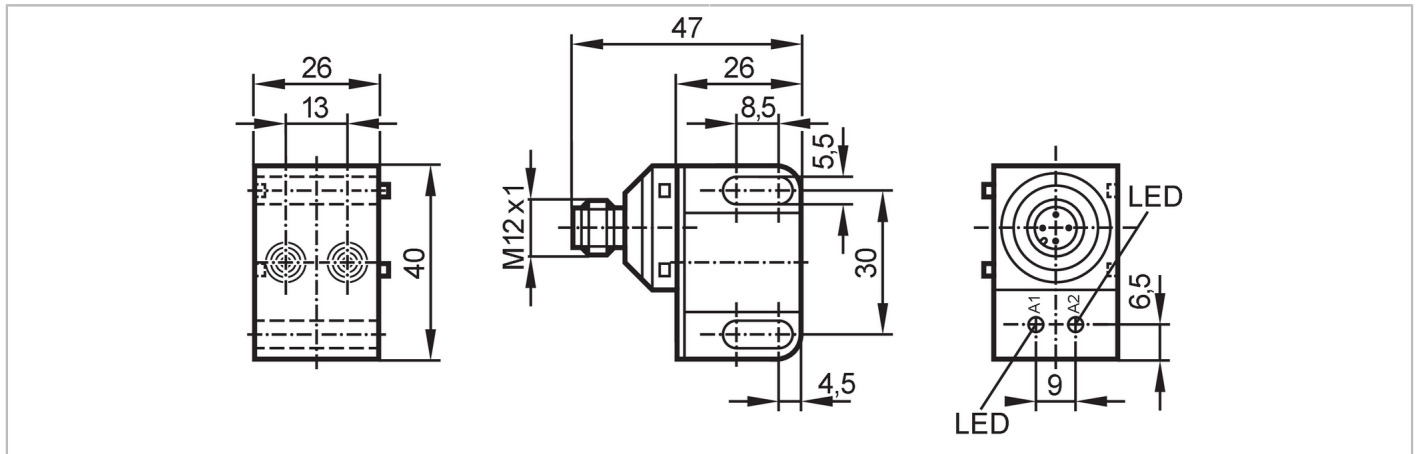


IN5331



Dual inductive sensor for valve actuators

IND2004DARKG/US-100-ZRV RT



Product characteristics

Electrical design		PNP/NPN
Output function		2 x normally open
Sensing range	[mm]	4
Housing		rectangular
Dimensions	[mm]	40 x 26 x 47

Application

Application		position sensor for valve actuators
-------------	--	-------------------------------------

Electrical data

Operating voltage	[V]	10...36 DC
Protection class		II
Reverse polarity protection		yes

Outputs

Electrical design		PNP/NPN
Output function		2 x normally open
Max. voltage drop switching output DC	[V]	4
Minimum load current	[mA]	4
Max. leakage current	[mA]	2 x 0.7
Permanent current rating of switching output DC	[mA]	250
Switching frequency DC	[Hz]	250
Short-circuit protection		yes
Type of short-circuit protection		pulsed
Overload protection		yes

Detection zone

Sensing range	[mm]	4
Real sensing range Sr	[mm]	4 ± 10 %
Operating distance	[mm]	0...3.25

IN5331



Dual inductive sensor for valve actuators

IND2004DARKG/US-100-ZRV RT

Accuracy / deviations		
Correction factor		steel: 1 / stainless steel: 0.7 / aluminium: 0.3 / copper: 0.4
Hysteresis	[% of Sr]	3...15
Switch point drift	[% of Sr]	-10...10
Operating conditions		
Ambient temperature	[°C]	-25...80
Protection		IP 67
Tests / approvals		
EMC		EN 60947-5-2
MTTF	[years]	1229
Mechanical data		
Weight	[g]	58.5
Housing		rectangular
Mounting		non-flush mountable
Dimensions	[mm]	40 x 26 x 47
Materials		housing: PBT; cover: PC
Displays / operating elements		
Display	switching status	2 x LED, red
Remarks		
Pack quantity		1 pcs.

Electrical connection - plug

Connector: 1 x M12; coding: A; Moulded body: brass, white bronze coated



Connection

