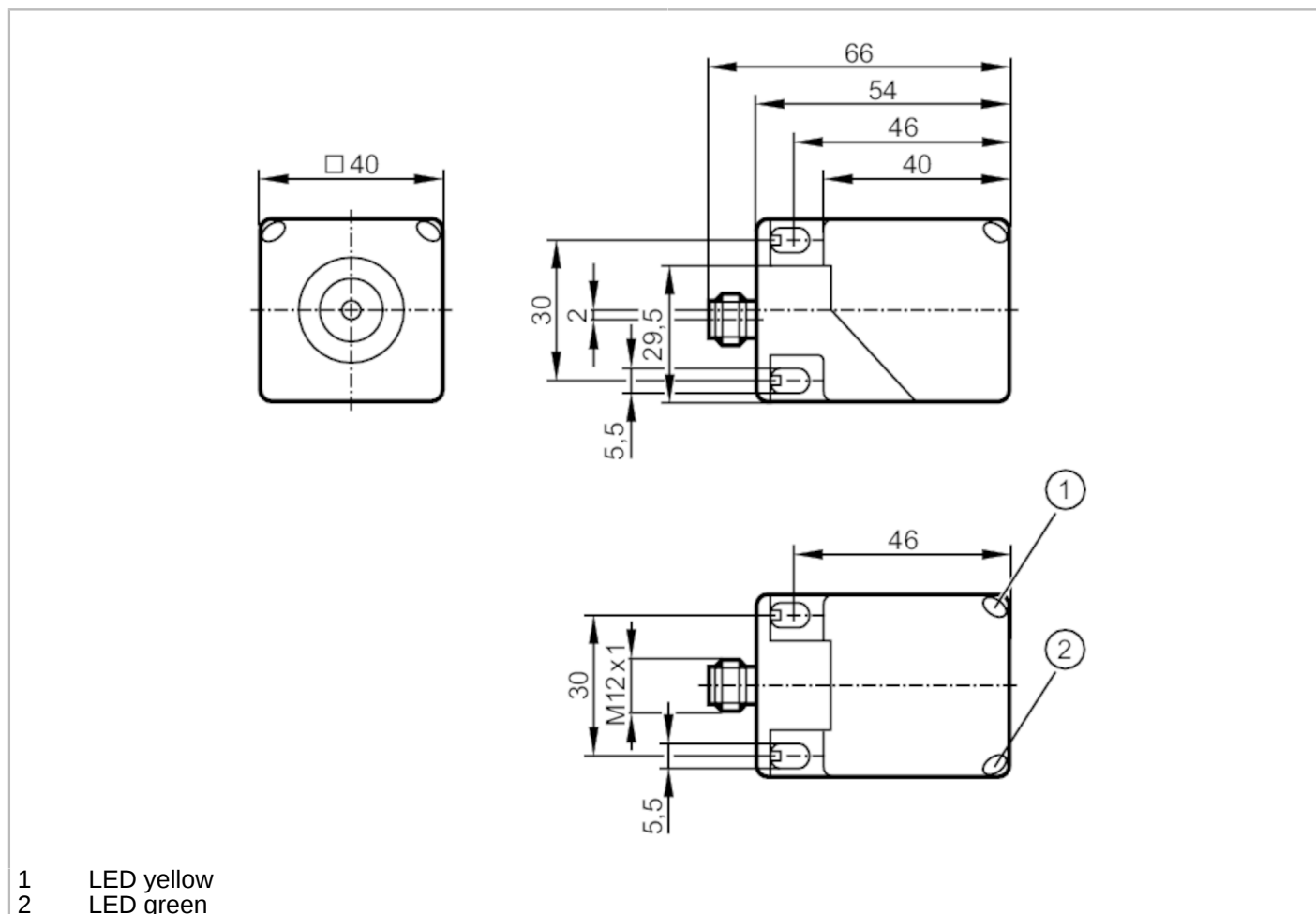


IM5117



Inductive sensor

IMC3040-BPKG/US-100-DPS



- 1 LED yellow
- 2 LED green



Product characteristics

Electrical design	PNP
Output function	normally open
Sensing range [mm]	40
Housing	rectangular
Dimensions [mm]	40 x 40 x 54

Electrical data

Operating voltage [V]	10...36 DC
Current consumption [mA]	< 20
Protection class	II
Reverse polarity protection	yes

IM5117



Inductive sensor

IMC3040-BPKG/US-100-DPS

Outputs		
Electrical design		PNP
Output function		normally open
Max. voltage drop switching output DC	[V]	2.5
Permanent current rating of switching output DC	[mA]	200
Switching frequency DC	[Hz]	60
Short-circuit protection		yes
Type of short-circuit protection		pulsed
Overload protection		yes
Detection zone		
Sensing range	[mm]	40
Operating distance	[mm]	0...32.4
Accuracy / deviations		
Correction factor		steel: 1 / stainless steel: 0.7 / brass: 0.4 / aluminium: 0.4 / copper: 0.3
Hysteresis	[% of Sr]	1...20
Operating conditions		
Ambient temperature	[°C]	-25...70
Protection		IP 67
Tests / approvals		
EMC	EN 61000-4-2 ESD	8 kV CD / 6 kV AD
	EN 61000-4-3 HF radiated	10 V/m
	EN 61000-4-4 Burst	2 kV
	EN 61000-4-5 Surge	0,5 kV line to line, Ri: 2 Ohm
	EN 61000-4-6 HF conducted	10 V
	EN 55011	class B
MTTF	[years]	1494
UL approval	Ta	-25...70 °C
	Enclosure type	Type 1
	voltage supply	Class 2
	File number UL	E174191
Mechanical data		
Weight	[g]	151.5
Housing		rectangular
Sensing face		5 positions selectable
Mounting		non-flush mountable
Dimensions	[mm]	40 x 40 x 54
Materials		PA
Displays / operating elements		
Display	switching status	1 x LED, yellow
	operation	1 x LED, green
Remarks		
Pack quantity		1 pcs.

IM5117



Inductive sensor

IMC3040-BPKG/US-100-DPS

Electrical connection - plug

Connector: 1 x M12; Locking: locking, rotatable



Connection

