

IF5941



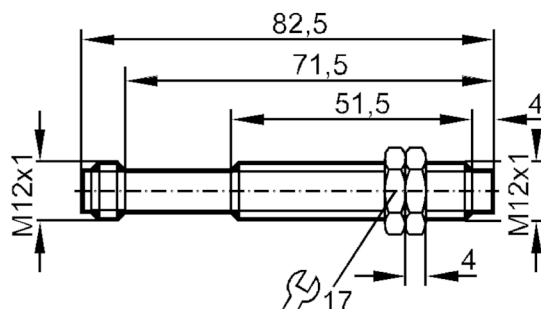
Inductive sensor

IFA2004-FRKG/V4A/US-100-IRF X

Article no longer available - archive entry

Alternative articles: IF5760

When selecting an alternative article and accessories please note that technical data may differ!



Product characteristics

Electrical design	PNP/NPN
Output function	normally open / normally closed; (selectable)
Sensing range [mm]	4
Housing	threaded type
Dimensions [mm]	M12 x 1

Electrical data

Operating voltage [V]	10...55 DC; (to PELV)
Reverse polarity protection	yes

IF5941



Inductive sensor

IFA2004-FRKG/V4A/US-100-IRF X

Outputs	
Electrical design	PNP/NPN
Output function	normally open / normally closed; (selectable)
Max. voltage drop switching output DC [V]	4.6
Minimum load current [mA]	4
Max. leakage current [mA]	1
Permanent current rating of switching output DC [mA]	400
Switching frequency DC [Hz]	1100
Short-circuit protection	yes
Type of short-circuit protection	pulsed
Overload protection	yes
Detection zone	
Sensing range [mm]	4
Real sensing range Sr [mm]	4 ± 10 %
Operating distance [mm]	0...3.25
Accuracy / deviations	
Correction factor	steel: 1 / stainless steel: 0.7 / brass: 0.5 / aluminium: 0.4 / copper: 0.3
Hysteresis [% of Sr]	3...15
Switch point drift [% of Sr]	-10...10
Operating conditions	
Ambient temperature [°C]	-25...80
Protection	IP 67
Tests / approvals	
EMC	EN 60947-5-2
Mechanical data	
Housing	threaded type
Mounting	non-flush mountable
Dimensions [mm]	M12 x 1
Thread designation	M12 x 1
Materials	stainless steel (1.4571/316Ti); PBT
Accessories	
Items supplied	lock nuts: 2
Remarks	
Pack quantity	1 pcs.

IF5941

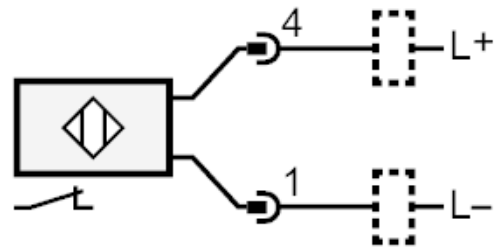
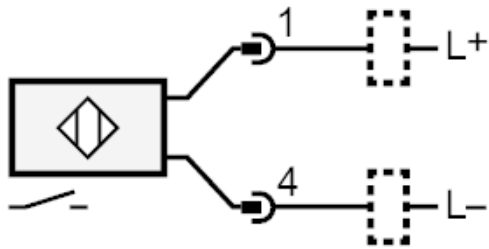


Inductive sensor

IFA2004-FRKG/V4A/US-100-IRF X

Electrical connection

Connection



Connector: 1 x M12