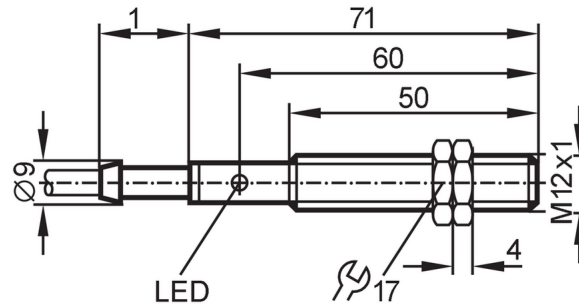


IF5597



Inductive sensor

IF-2004-FRKG/PH



Product characteristics

Electrical design	PNP/NPN
Output function	normally open / normally closed; (selectable)
Sensing range [mm]	4
Housing	threaded type
Dimensions [mm]	M12 x 1 / L = 71

Electrical data

Operating voltage [V]	10...55 DC
Protection class	II
Reverse polarity protection	yes

Outputs

Electrical design	PNP/NPN
Output function	normally open / normally closed; (selectable)
Max. voltage drop switching output DC [V]	4.6
Minimum load current [mA]	4
Max. leakage current [mA]	0.5
Permanent current rating of switching output DC [mA]	400
Switching frequency DC [Hz]	1500
Short-circuit protection	yes
Type of short-circuit protection	pulsed
Overload protection	yes

Detection zone

Sensing range [mm]	4
Real sensing range Sr [mm]	4 ± 10 %
Operating distance [mm]	0...3.25

Accuracy / deviations

Correction factor	steel: 1 / stainless steel: 0.7 / brass: 0.4 / aluminium: 0.3 / copper: 0.2
Hysteresis [% of Sr]	1...15
Switch point drift [% of Sr]	-10...10

Operating conditions

Ambient temperature [°C]	-25...80
--------------------------	----------

IF5597



Inductive sensor

IF-2004-FRKG/PH

Protection	IP 67
------------	-------

Tests / approvals

EMC	EN 60947-5-2
MTTF [years]	1815

Mechanical data

Weight [g]	77.2
Housing	threaded type
Mounting	non-flush mountable
Dimensions [mm]	M12 x 1 / L = 71
Thread designation	M12 x 1
Materials	housing: PBT

Displays / operating elements

Display	switching status	1 x LED, yellow
---------	------------------	-----------------

Accessories

Items supplied	lock nuts: 2
----------------	--------------

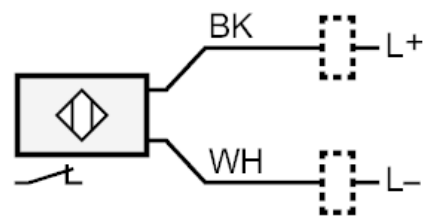
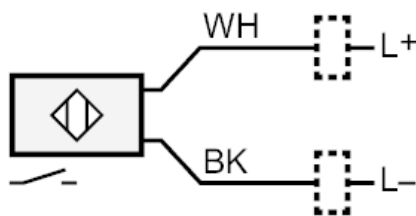
Remarks

Pack quantity	1 pcs.
---------------	--------

Electrical connection

Cable: 2 m, PUR / PVC; 2 x 0.34 mm²

Connection



Core colours :
BK = black
WH = white