

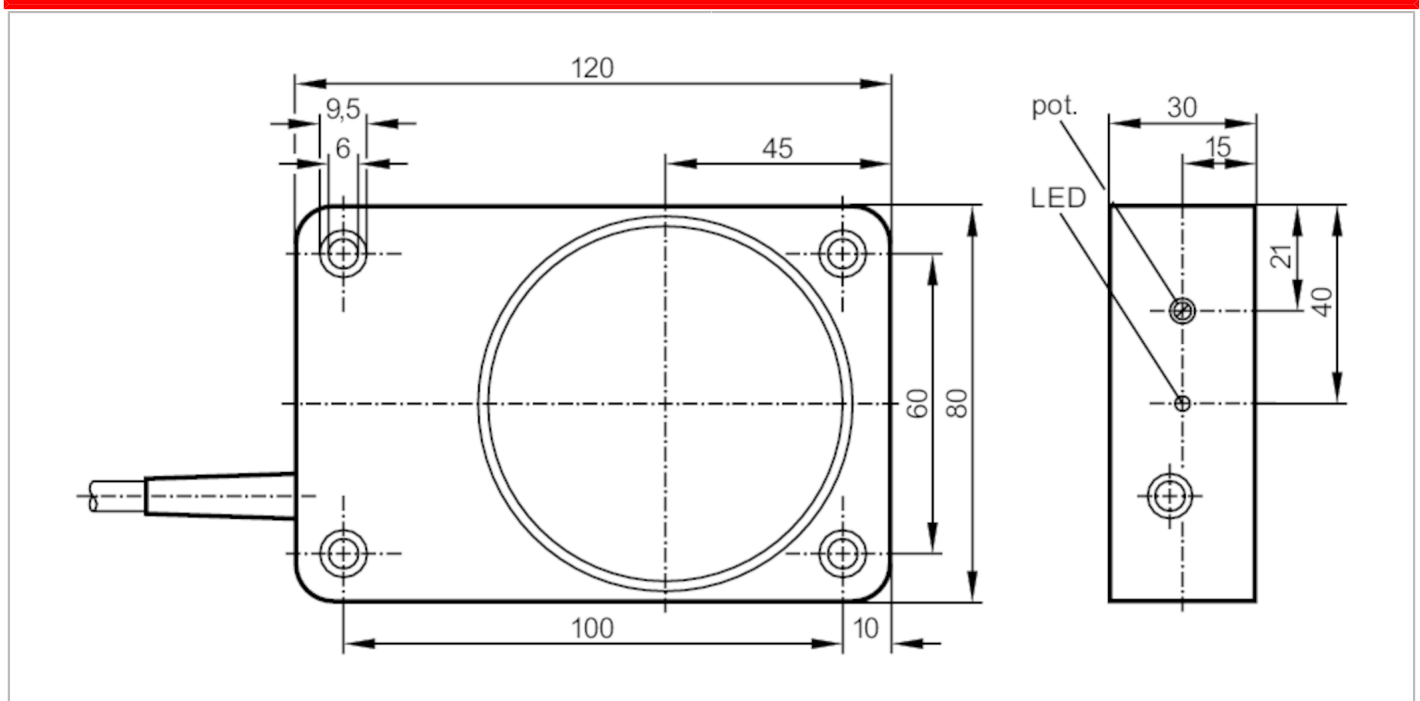
ID5011



Inductive sensor

ID-3050-APOG/20m

Article no longer available - archive entry



Product characteristics

Electrical design		PNP
Output function		normally closed
Sensing range	[mm]	50
Housing		rectangular
Dimensions	[mm]	120 x 80 x 30

Electrical data

Operating voltage	[V]	10...30 DC
Current consumption	[mA]	7; (24 V)
Reverse polarity protection		no

Outputs

Electrical design		PNP
Output function		normally closed
Max. voltage drop switching output DC	[V]	1
Permanent current rating of switching output DC	[mA]	200
Switching frequency DC	[Hz]	30
Short-circuit protection		no
Overload protection		no

Detection zone

Sensing range	[mm]	50
Sensing range adjustable		yes
Factory setting sensing range	[mm]	50
Real sensing range S_r	[mm]	$50 \pm 10 \%$
Operating distance	[mm]	0...40.5

ID5011

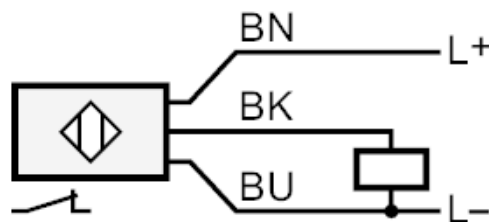


Inductive sensor

ID-3050-APOG/20m

Accuracy / deviations		
Correction factor	steel: 1 / stainless steel: 0.7 / brass: 0.4 / aluminium: 0.3 / copper: 0.2	
Hysteresis [% of Sr]	1...15	
Switch point drift [% of Sr]	-10...10	
Operating conditions		
Ambient temperature [°C]	-10...50	
Protection	IP 65	
Tests / approvals		
EMC	EN 60947-5-2	class B
	EN 55011	
Mechanical data		
Housing	rectangular	
Mounting	non-flush mountable	
Dimensions [mm]	120 x 80 x 30	
Materials	PPE modified	
Displays / operating elements		
Display	switching status	1 x LED, yellow
Accessories		
Accessories (supplied)	screwdriver: 1	
Remarks		
Pack quantity	1 pcs.	
Electrical connection		
Cable: 20 m, PVC; 3 x 0.5 mm ²		

Connection



Core colours :

- BN = brown
- BU = blue
- BK = black

Article no longer available - archive entry