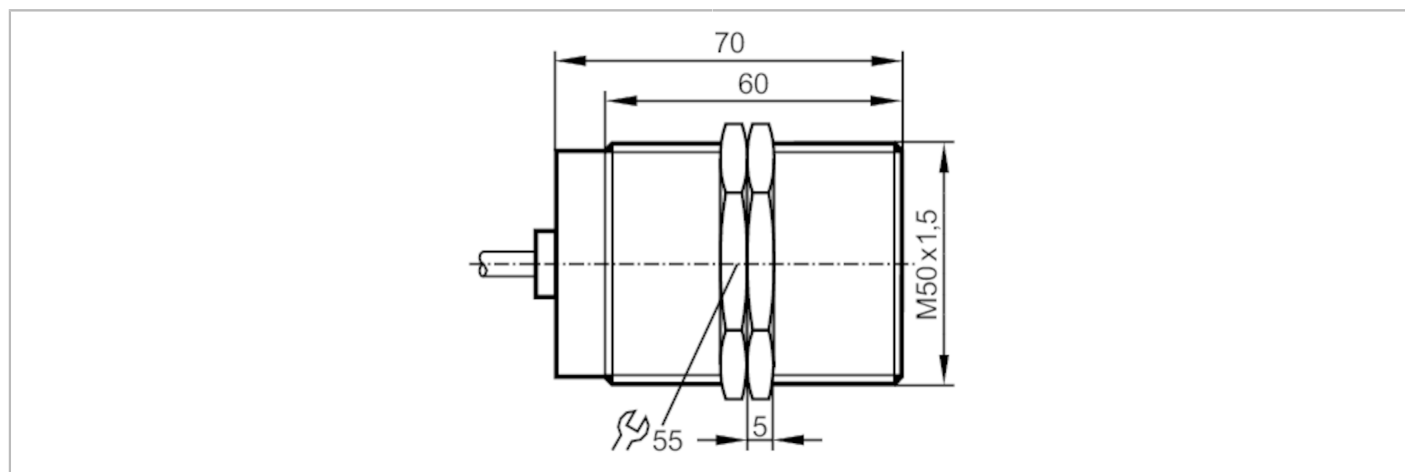




Inductive high-temperature sensor

I9-3020ZBPKG/M50/5M/SH



Product characteristics	
Electrical design	PNP
Output function	normally open
Sensing range [mm]	20
Housing	threaded type
Dimensions [mm]	M50 x 1.5 / L = 70
Application	
Application	high-temperature applications
Electrical data	
Operating voltage [V]	10...35 DC
Current consumption [mA]	< 15
Protection class	III
Reverse polarity protection	yes
Outputs	
Electrical design	PNP
Output function	normally open
Max. voltage drop switching output DC [V]	2
Permanent current rating of switching output DC [mA]	150
Switching frequency DC [Hz]	100
Short-circuit protection	yes
Type of short-circuit protection	pulsed
Overload protection	yes
Detection zone	
Sensing range [mm]	20
Operating distance [mm]	0...16.2

I95045



Inductive high-temperature sensor

I9-3020ZBPKG/M50/5M/SH

Accuracy / deviations		
Correction factor	steel: 1 / stainless steel: 0.6 / brass: 0.3 / aluminium: 0.2 / copper: 0.1	
Hysteresis [% of Sr]	3...15	
Switch point drift [% of Sr]	-10...10	
Operating conditions		
Ambient temperature [°C]	0...180	
Protection	IP 65	
Tests / approvals		
EMC	EN 61000-4-2 ESD	2 kV CD / 4 kV AD
	EN 61000-4-3 HF radiated	3 V/m
	EN 61000-4-4 Burst	2 kV
	EN 61000-4-6 HF conducted	3 V
Mechanical data		
Weight [g]	560.5	
Housing	threaded type	
Mounting	flush mountable	
Dimensions [mm]	M50 x 1.5 / L = 70	
Thread designation	M50 x 1.5	
Materials	housing: stainless steel; sensing face: LCP	
Accessories		
Accessories (supplied)	lock nuts: 2	
Remarks		
Pack quantity	1 pcs.	

I95045



Inductive high-temperature sensor

I9-3020ZBPKG/M50/5M/SH

Electrical connection

Cable: 5 m, silicone; highly flexible; 3 x 0.34 mm²

Connection



Core colours :

BK =	black
BN =	brown
BU =	blue