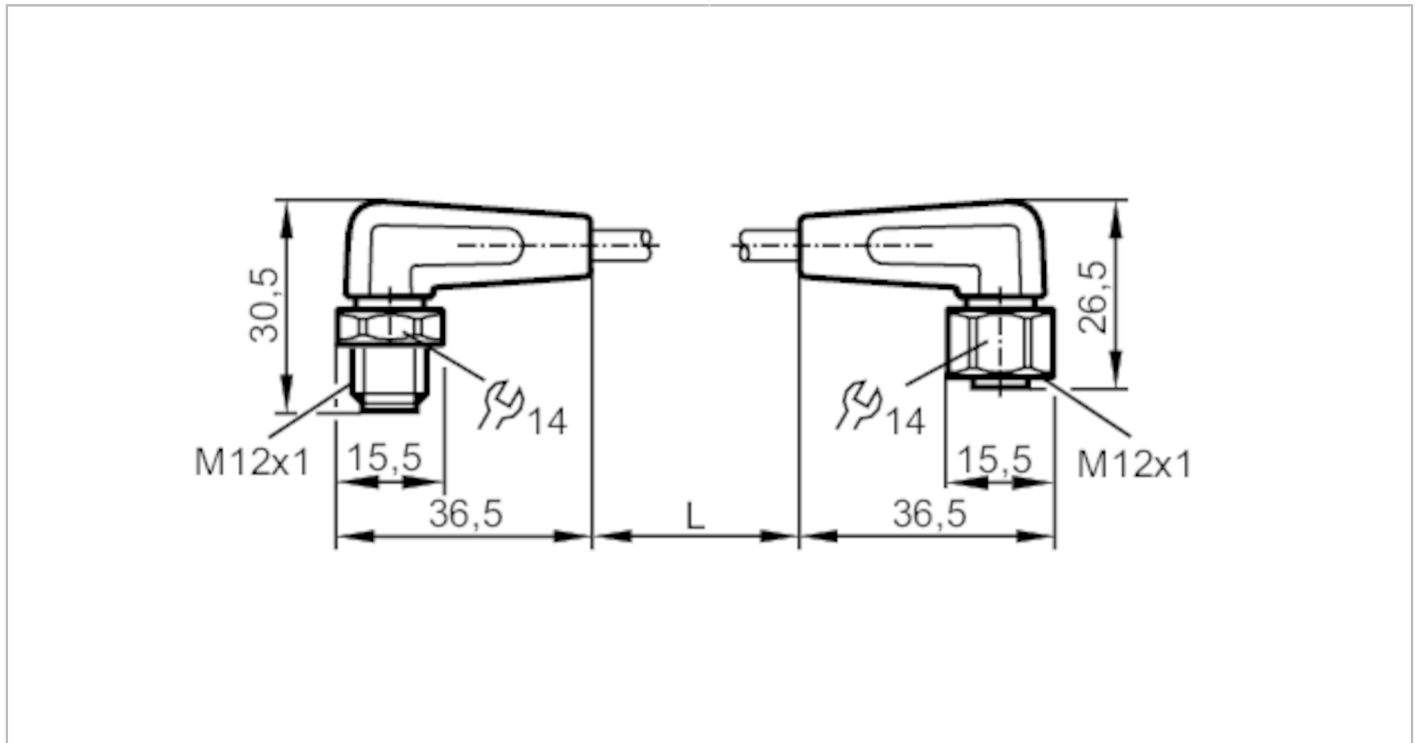


# EVF114



## Connection cable

VDOAH030VAS0010P03STAH030VAS



Application	
Special feature	Free from silicone; Halogen-free; Gold-plated contacts; Drag chain suitability
Application	hygienic and wet areas in the food industry
Free from silicone	yes
Electrical data	
Operating voltage [V]	< 250 AC / < 300 DC
Protection class	II
Max. current load total [A]	4
Operating conditions	
Ambient temperature [°C]	-25...100
Ambient temperature (moving) [°C]	5...100
Storage temperature [°C]	-25...55
Storage humidity [%]	10...100
Other climatic conditions for storage according to stated class	1K22/ DIN 60721-3-1
Protection	IP 65; IP 67; IP 68; IP 69K

# EVF114



## Connection cable

VDOAH030VAS0010P03STAH030VAS

Mechanical data		
Weight [g]	303	
Dimensions [mm]	30.5 x 15.5 x 36.5	
Materials	PP Halogen-free; Sealing: EPDM	
Moulded-body material	PP	
Material nut	stainless steel (1.4404 / 316L)	
Drag chain suitability	yes	
Drag chain suitability	bending radius for flexible use	min. 10 x cable diameter
	travel speed	max. 3.3 m/s for a horizontal travel length of 5 m and max. acceleration of 5 m/s <sup>2</sup>
	bending cycles	> 1 Mio.
	torsional strain	± 180 °/m

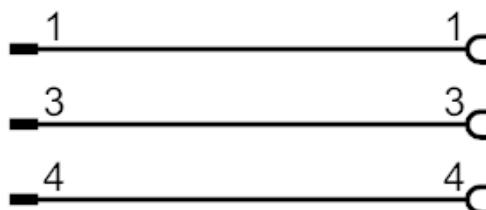
Remarks	
Pack quantity	1 pcs.

Electrical connection	
Cable: 10 m, MPPE, Halogen-free, grey, Ø 4.9 mm; 3 x 0.34 mm <sup>2</sup> (42 x Ø 0.1 mm )	

Electrical connection - plug	
Connector: 1 x M12, angled; coding: A; Moulded body: PP; Locking: stainless steel (1.4404 / 316L); Contacts: gold-plated; Tightening torque: 0.6...1.2 Nm; Take into account the maximum value of the counterpart!	



Electrical connection	
Connection	



# EVF114



## Connection cable

VDOAH030VAS0010P03STAH030VAS

### Electrical connection - socket

Connector: 1 x M12, angled; coding: A; Moulded body: PP; Locking: stainless steel (1.4404 / 316L); Contacts: gold-plated;  
Tightening torque: 0.6...1.5 Nm

