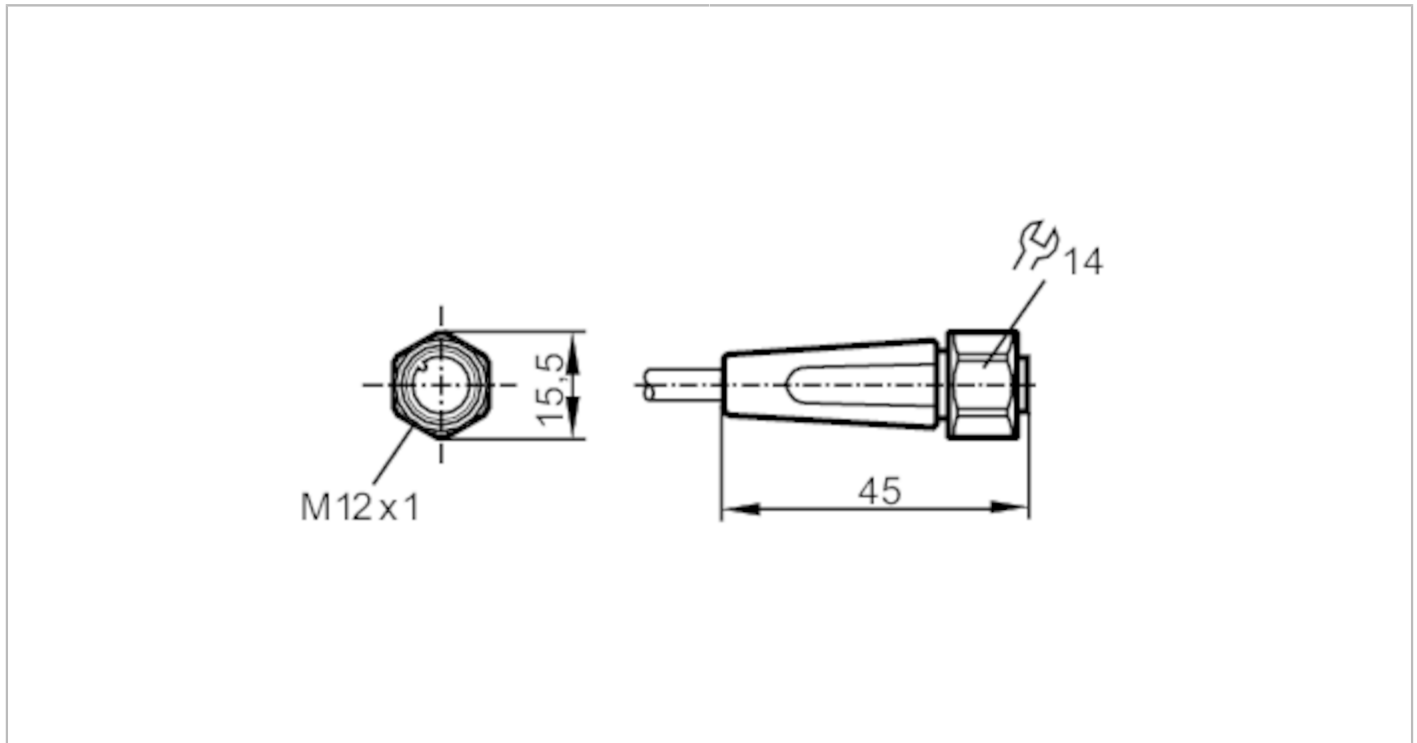




Connecting cable with socket

ADOGH040VAS0010P04



| Application | |
|---|--|
| Special feature | Free from silicone; Halogen-free; Gold-plated contacts; Drag chain suitability |
| Application | hygienic and wet areas in the food industry |
| Free from silicone | yes |
| Electrical data | |
| Operating voltage [V] | < 250 AC / < 300 DC |
| Protection class | II |
| Max. current load total [A] | 4 |
| Operating conditions | |
| Ambient temperature [°C] | -25...100 |
| Note on ambient temperature | cULus: ...65 °C |
| Ambient temperature (moving) [°C] | 0...100 |
| Note on ambient temperature (moving) | cULus: ...65 °C |
| Storage temperature [°C] | -25...55 |
| Storage humidity [%] | 10...100 |
| Other climatic conditions for storage according to stated class | 1K22/ DIN 60721-3-1 |
| Protection | IP 65; IP 67; IP 68; IP 69K |
| Mechanical data | |
| Weight [g] | 313.8 |
| Dimensions [mm] | 15.5 x 15.5 x 45 |
| Materials | PP Halogen-free; Sealing: EPDM |

EVF002



Connecting cable with socket

ADOGH040VAS0010P04

| | | |
|------------------------|---------------------------------|--|
| Moulded-body material | PP | |
| Material nut | stainless steel (316L/1.4404) | |
| Drag chain suitability | yes | |
| Drag chain suitability | bending radius for flexible use | min. 10 x cable diameter |
| | travel speed | max. 3.3 m/s for a horizontal travel length of 5 m and max. acceleration of 5 m/s ² |
| | bending cycles | > 1 Mio. |
| | torsional strain | ± 180 °/m |

Remarks

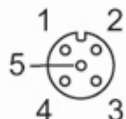
| | |
|---------------|--------|
| Pack quantity | 1 pcs. |
|---------------|--------|

Electrical connection

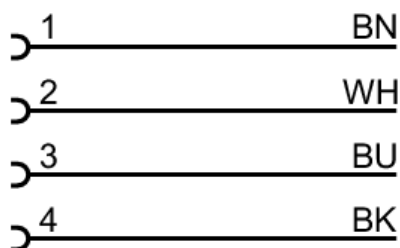
Cable: 10 m, MPPE, Halogen-free, grey, Ø 4.9 mm; 4 x 0.34 mm² (42 x Ø 0.1 mm)

Electrical connection - socket

Connector: 1 x M12, straight; coding: A; Moulded body: PP; Locking: stainless steel (316L/1.4404); Contacts: gold-plated;
Tightening torque: 0.6...1.5 Nm



Connection



Core colours :
 BK = black
 BN = brown
 BU = blue
 WH = white