

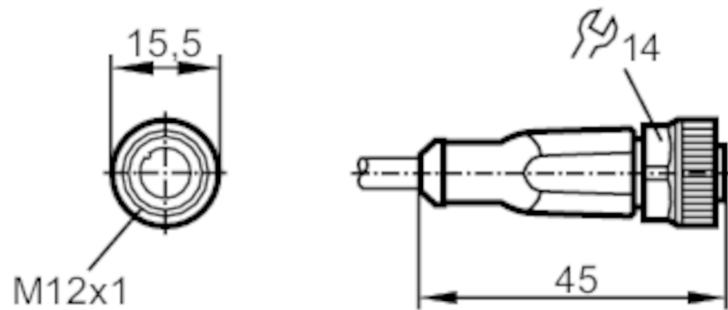
EVC208



Connecting cable with socket

ADOGH040MSS07,6H04

Please see the technical note under "Downloads"



Application

| | |
|--------------------|--|
| Special feature | Free from silicone; Halogen-free; Gold-plated contacts; Drag chain suitability |
| Free from silicone | yes |

Electrical data

| | | |
|-------------------------|-----|---------------------|
| Operating voltage | [V] | < 250 AC / < 300 DC |
| Protection class | | II |
| Max. current load total | [A] | 4 |

Operating conditions

| | | |
|---|------|-----------------------------|
| Ambient temperature | [°C] | -25...90 |
| Note on ambient temperature | | cULus: ...75 °C |
| Ambient temperature (moving) | [°C] | -25...90 |
| Note on ambient temperature (moving) | | cULus: ...75 °C |
| Storage temperature | [°C] | -25...55 |
| Storage humidity | [%] | 10...100 |
| Other climatic conditions for storage according to stated class | | 1K22/ DIN 60721-3-1 |
| Protection | | IP 65; IP 67; IP 68; IP 69K |

EVC208



Connecting cable with socket

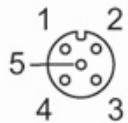
ADOGH040MSS07,6H04

| Mechanical data | | |
|------------------------|-----------------------------------|--|
| Weight [g] | 220 | |
| Dimensions [mm] | 15.5 x 15.5 x 45 | |
| Materials | housing: TPU orange; Sealing: FKM | |
| Material nut | brass, nickel-plated | |
| Drag chain suitability | yes | |
| Drag chain suitability | bending radius for flexible use | min. 10 x cable diameter |
| | travel speed | max. 3.3 m/s for a horizontal travel length of 5 m and max. acceleration of 5 m/s ² |
| | bending cycles | > 5 Mio. |
| | torsional strain | ± 180 °/m |
| | | |

| Remarks | |
|---------------|---|
| Notes | Please see the technical note under "Downloads" |
| Pack quantity | 1 pcs. |

| Electrical connection |
|---|
| Cable: 7.6 m, PUR, Halogen-free, black, Ø 4.3 mm; 4 x 0.34 mm ² (42 x Ø 0.1 mm) |

| Electrical connection - socket |
|--|
| Connector: 1 x M12, straight; coding: A; Locking: brass, nickel-plated; Contacts: gold-plated; Tightening torque: 0.6...1.5 Nm |

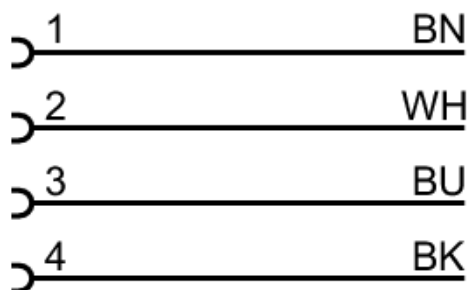




Connecting cable with socket

ADOGH040MSS07,6H04

Connection

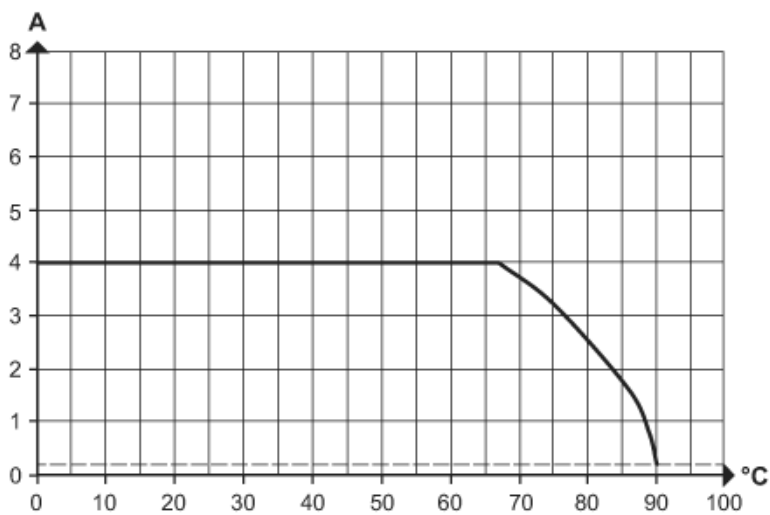


Core colours :

BK = black
 BN = brown
 BU = blue
 WH = white

Diagrams and graphs

characteristic line for derating



Derating $I_{max} * 0.8$ (DIN EN 60512-5-2)

X Ambient temperature [°C]

Y Current [A]