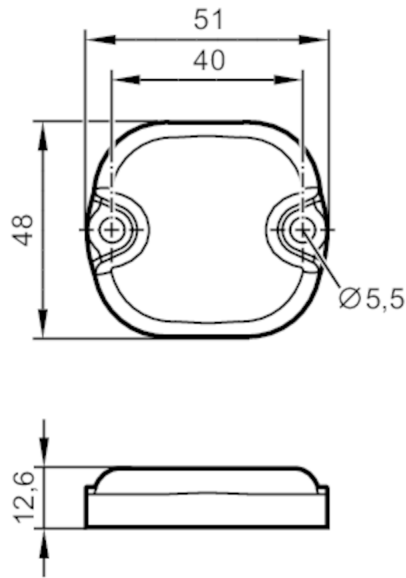


E80414



RFID tag

ID-TAG/51x48x12,6/04



Application

Application RFID coding of metal tanks

Electrical data

Operating frequency [MHz]	860...930
Memory size [bit]	512
Memory type	EEPROM
Chip type	Impinj Monza 4QT
Tag identifier (TID) [Byte]	8
Electronic product code (EPC)	128 bit
RFID standard	EPC Class1 GEN2/ISO 18000-6C
Max. read cycles	unlimited
Max. write cycles	100000

Operating conditions

Ambient temperature [°C]	-40...85
Storage temperature [°C]	-40...85
Protection	IP 68

Mechanical data

Weight [g]	126.3
Dimensions [mm]	48 x 51 x 12.6
Materials	housing: polycarbonate-ABS

Remarks

Pack quantity 5 pcs.

E80414



RFID tag

ID-TAG/51x48x12,6/04

Other data

read distance (m)

DTE80x	1.2
DTE90x	-
ANT860 / ANT960	3
ANT820 / ANT920	1