

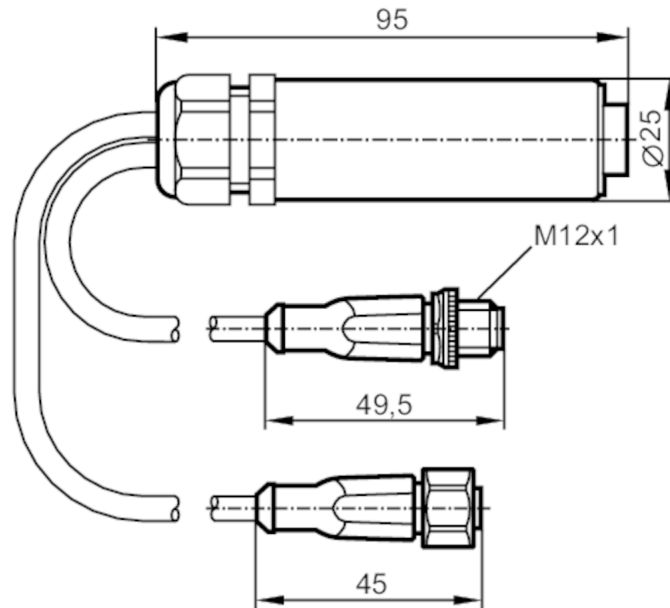
E40211



Teach button for flow sensors

SC TEACH BUTTON PS

Article no longer available - archive entry



Application

Design for p-switching flow sensors SC

Electrical data

Frequency AC	[Hz]	47...63
Operating voltage tolerance	[%]	15
Operating voltage	[V]	< 24 AC/DC; (according to EN 50178 SELV/PELV)

Operating conditions

Protection IP 40

Mechanical data

Weight	[g]	233
Materials		stainless steel (1.4305 / 303); PA; PMMA

Remarks

Notes	discontinued article
Pack quantity	1 pcs.

E40211



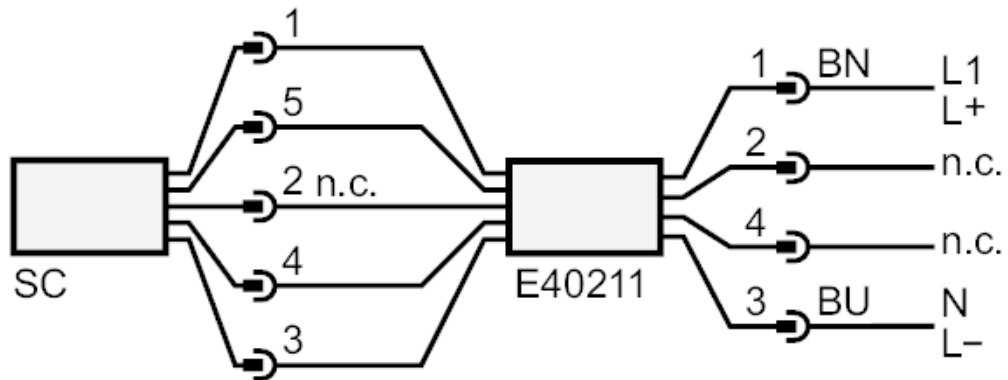
Teach button for flow sensors

SC TEACH BUTTON PS

Electrical connection

Cable: 0.9 m, PUR

Connection



n.c. = not used

Core colours :

BN = brown

BU = blue