

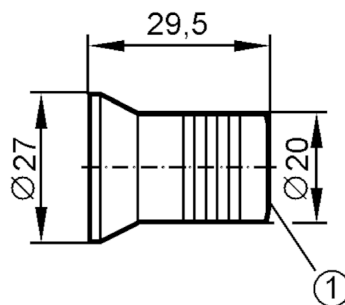
E40062



Welding adapter for process sensors

Einschweißmuffe/St52/SA

Article no longer available - archive entry



1 internal thread M16 x 1.5

Mechanical data

Dimensions [mm]	M16
Thread designation	M16
Materials	steel (1.0570 / S355J2)

Remarks

Pack quantity	1 pcs.
---------------	--------