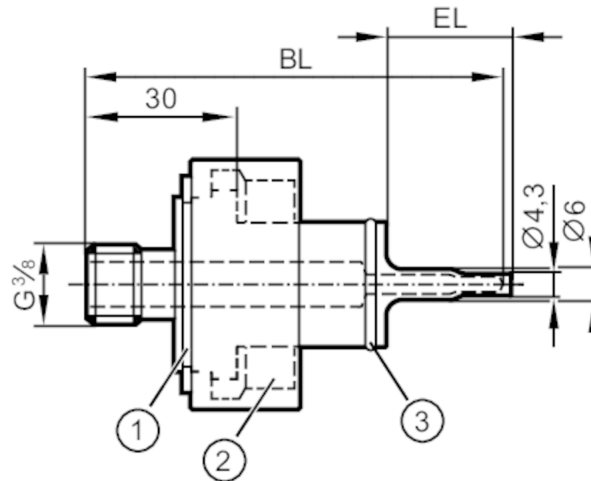


E38826



Thermowell for temperature sensors

THERMOWELL, D3/DN25 Ingold/EL=25



- 1 retaining ring
- 2 Lock nut G 1 1/4
- 3 O-ring

Application	
Design	for temperature sensors EL = 83 mm
Pressure rating [bar]	16
Mechanical data	
Weight [g]	868
Materials	stainless steel (1.4435 / 316L)
Sensor connection	G 3/8 internal thread Ø 3 mm
Process connection	Ingold Ø 25 mm
Surface characteristics Ra/Rz of the wetted parts	< 0.4 / -
Installation length EL [mm]	25
Bore length BL [mm]	83
Remarks	
Pack quantity	1 pcs.