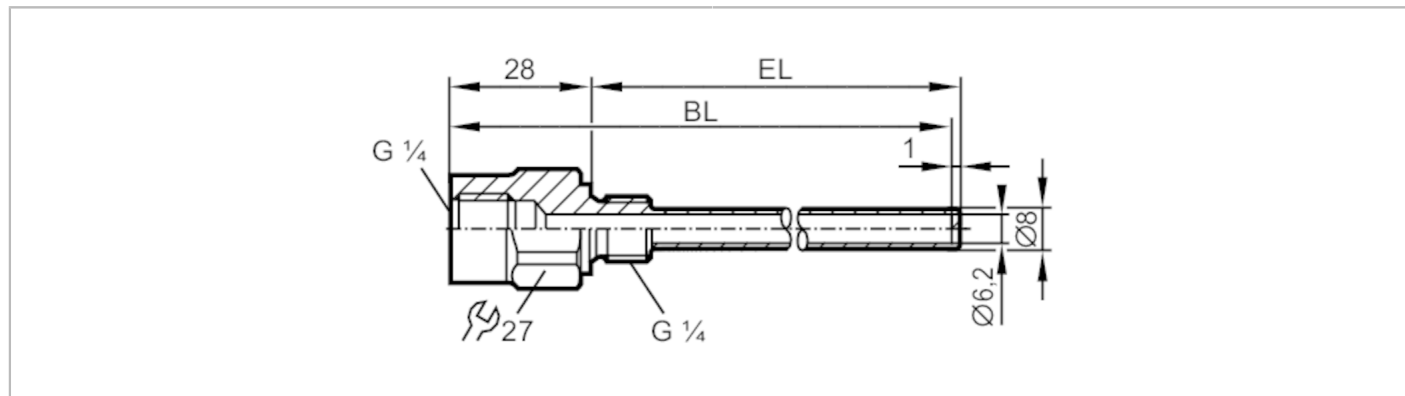


# E37710



## Thermowell for temperature sensors

THERMOWELL, D6/ G1/4 /L=100



Application	
Design	for temperature sensors EL = 100 mm
Pressure rating [bar]	100
Note on pressure rating	< 250 °C
Mechanical data	
Weight [g]	100
Materials	stainless steel (1.4571/316Ti )
Sensor connection	G 1/4 Ø 6 mm
Process connection	G 1/4
Installation length EL [mm]	74
Bore length BL [mm]	100
Remarks	
Pack quantity	1 pcs.