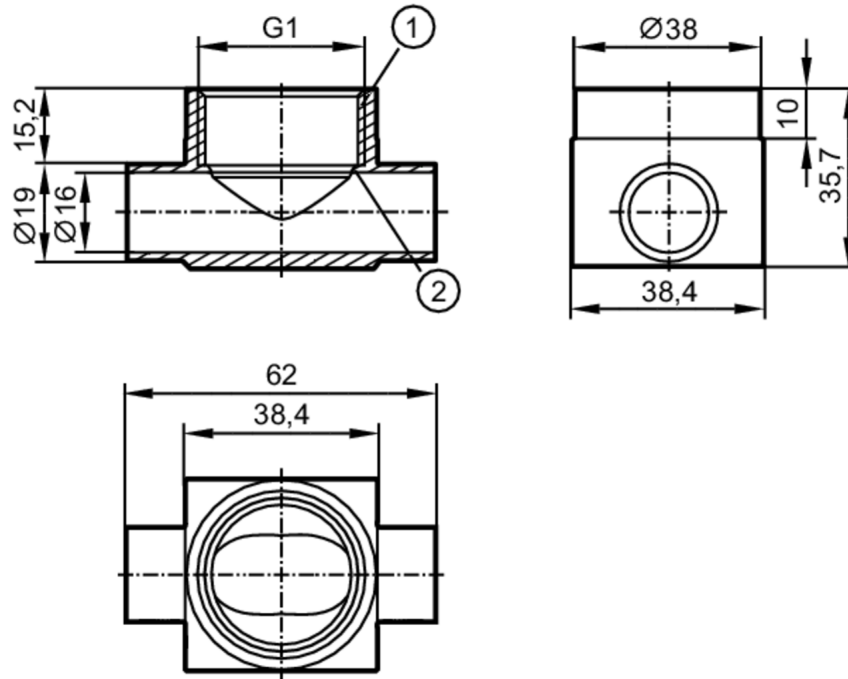




T-piece

T-ADAPT G1 DN15



- 1 Aseptoflex Vario
- 2 sealing area

EC 1935/2004

Application

Pressure rating [bar]	25
Note on pressure rating	for the connection sensor - adapter

Tests / approvals

Pressure Equipment Directive	A possible classification to PED depends on the application and has to be carried out by the user / operator.
Pressure Equipment Directive EAC	The adapter is intended for use in devices, machines and installations that do not fall under the categories of the technical rule TR CU 032/2013.
Safety instructions	The compatibility between medium and product material has to be checked in all applications.

Mechanical data

Weight [g]	273.5
Materials (wetted parts)	stainless steel (1.4404 / 316L) ; surface characteristics : Ra<0,4 / Rz 4
Sensor connection	G 1 Aseptoflex Vario
Process connection	welding adapter Ø 19 mm
Sealing	Gasket

Accessories

Items supplied	O-ring: 1 x 24 x 2, EPDM, FDA compliant, E30054
Accessories (optional)	O-ring: 1 x 24 x 2, FKM, FDA compliant, E30123

Remarks

Pack quantity	1 pcs.
---------------	--------