

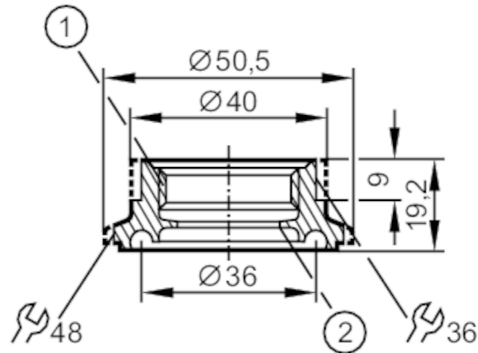
E33061



Mounting adapter for process sensors

ADAPT IFM-SUEDMO DN25 O-RG

Article no longer available - archive entry



- 1 Aseptoflex thread
- 2 Aseptoflex sealing edge

Application

Installation	with O-ring
Pressure rating [bar]	16

Mechanical data

Type of mounting	with O-ring
Materials	stainless steel (1.4404 / 316L)
Sensor connection	Aseptoflex
Process connection	Clamp DN25
Surface characteristics Ra/Rz of the wetted parts	0.4 / 4
Hygienic equipment class to DIN 11866	H4

Remarks

Pack quantity	1 pcs.
---------------	--------