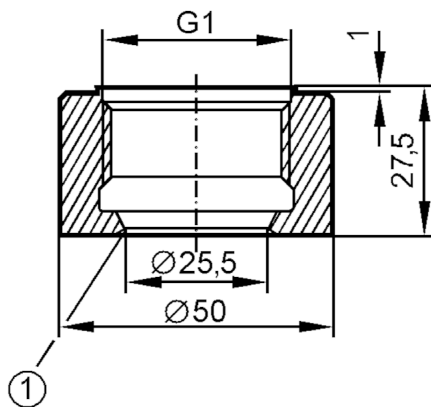


E30060



Welding adapter for process sensors

WELDING ADAPT G1 ST52-3



1 sealing edge

Application	
Pressure rating [bar]	50
Note on pressure rating	for the connection sensor - adapter
Tests / approvals	
Pressure Equipment Directive	A possible classification to PED depends on the application and has to be carried out by the user / operator.
Safety instructions	The compatibility between medium and product material has to be checked in all applications.
Mechanical data	
Weight [g]	295.5
Materials (wetted parts)	steel (1.0570 / S355J2) surface characteristics : Ra<0,4 / Rz 4
Sensor connection	G 1 sealing cone
Process connection	welding adapter Ø 50 mm
Remarks	
Pack quantity	1 pcs.