

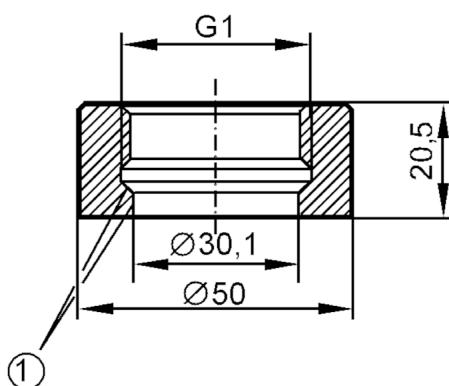
E30014



Welding adapter for process sensors

PA WELDING ADAPTER G1 V4A

Article no longer available - archive entry



1 sealing edge

Mechanical data

Materials

stainless steel (1.4404 / 316L)

Remarks

Pack quantity

1 pcs.