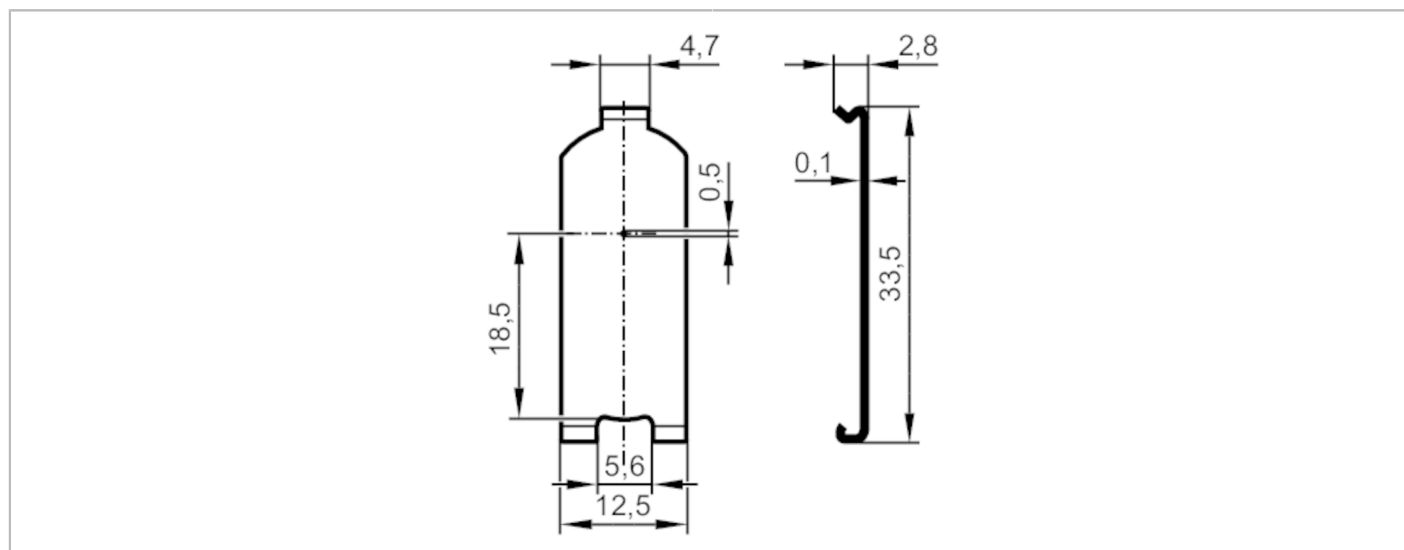


# E21277



## Pinhole mask

PINHOLE O6 0,5 MM



Product characteristics	
Dimensions [mm]	33.5 x 12.5 x 2.8
Application	
Design	for types O6E / O6S Kunststoff
Application [m]	0.08
Detection zone	
Diameter of the smallest detectable object [mm]	0.2
Mechanical data	
Weight [g]	4.6
Dimensions [mm]	33.5 x 12.5 x 2.8
Materials	stainless steel (1.4310 / 301)
Remarks	
Remarks	The smallest object can only be detected if a mask is attached to both transmitter and receiver.
Pack quantity	1 pcs.