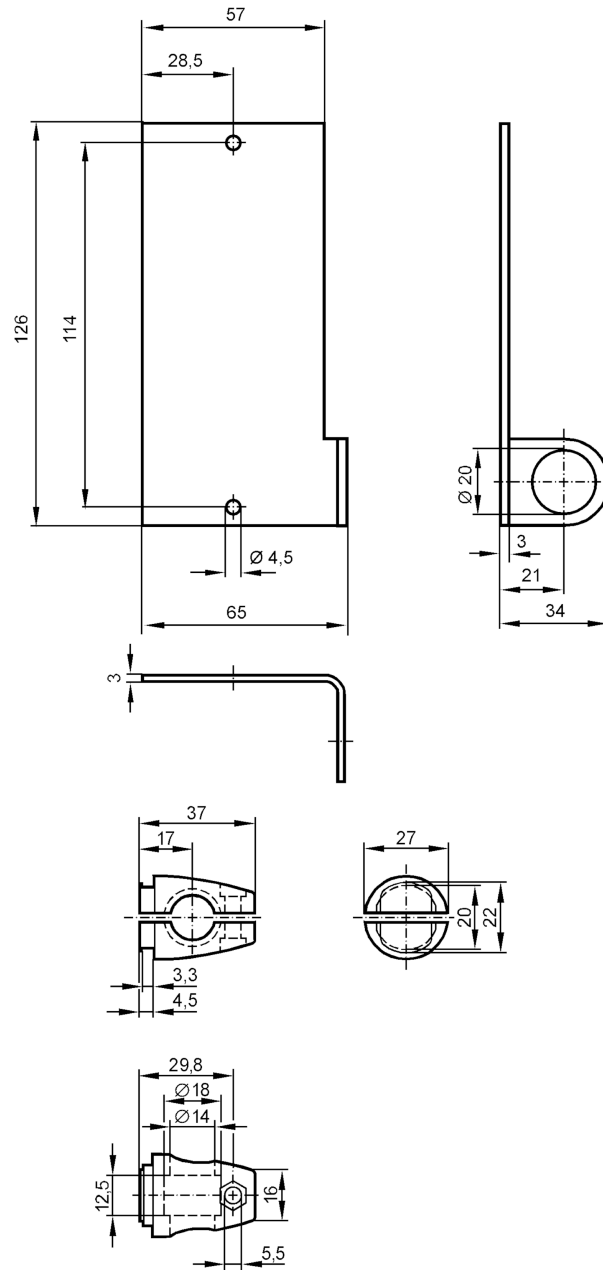


Mounting set for reflectors

SYSTEM COMPONENT REFL ROD

Article no longer available - archive entry



Application

Design

clamp mounting, for reflector

Mechanical data

Type of mounting

Mounting rod; (Ø 14 mm)

Materials

fixture: stainless steel (1.4571/316Ti); Clamp: diecast zinc

Remarks

Pack quantity

1 pcs.