

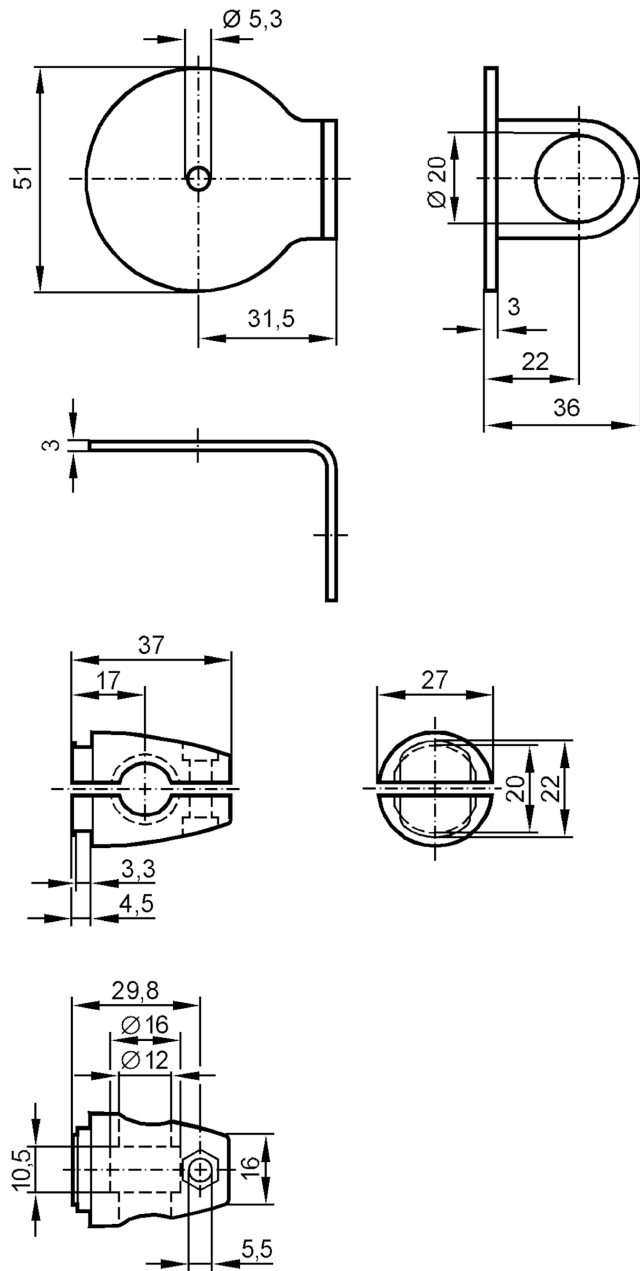
E20913



Mounting set for reflectors

SYSTEM COMPONENT REFL ROD

Article no longer available - archive entry



Application

Design for reflector

Mechanical data

Type of mounting Mounting rod; (\varnothing 12 mm)

Materials fixture: stainless steel (1.4571/316Ti); Clamp: stainless steel (1.4408)

Remarks

Pack quantity 1 pcs.