

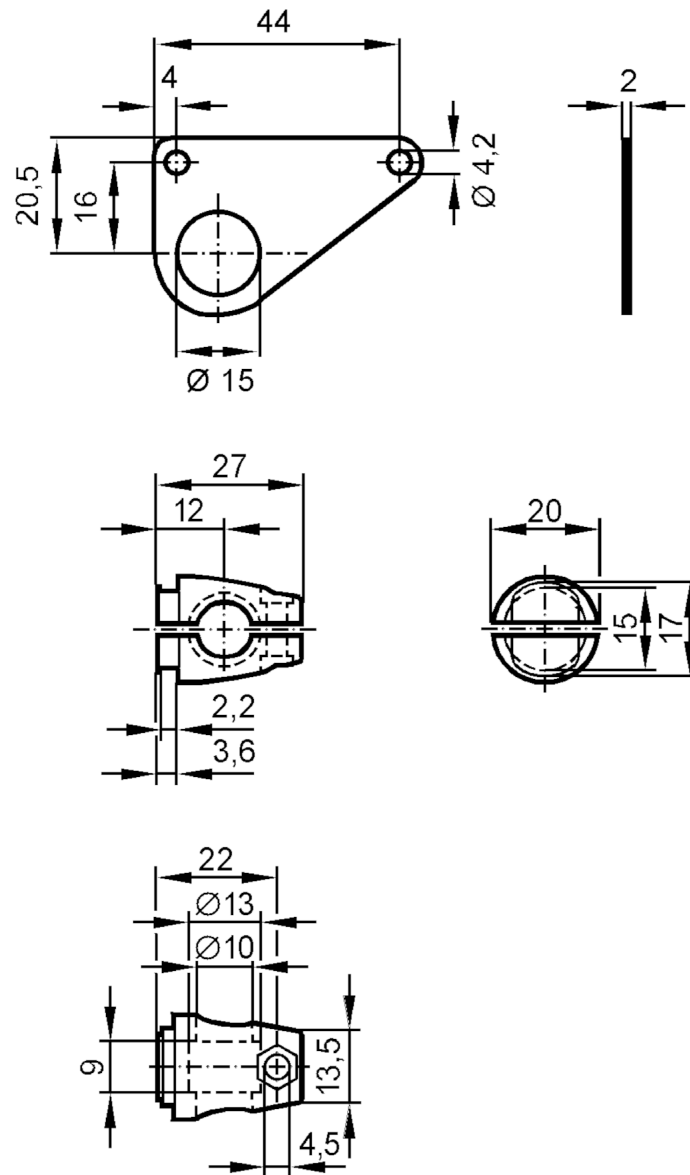
E20886



Mounting set for photoelectric sensors

SYSTEM COMPONENT OU ROD

Article no longer available - archive entry



Mechanical data

Type of mounting	Mounting rod; (\varnothing 10 mm)
Materials	fixture: stainless steel (1.4571/316Ti); Clamp: stainless steel (1.4408)
Remarks	
Pack quantity	1 pcs.