

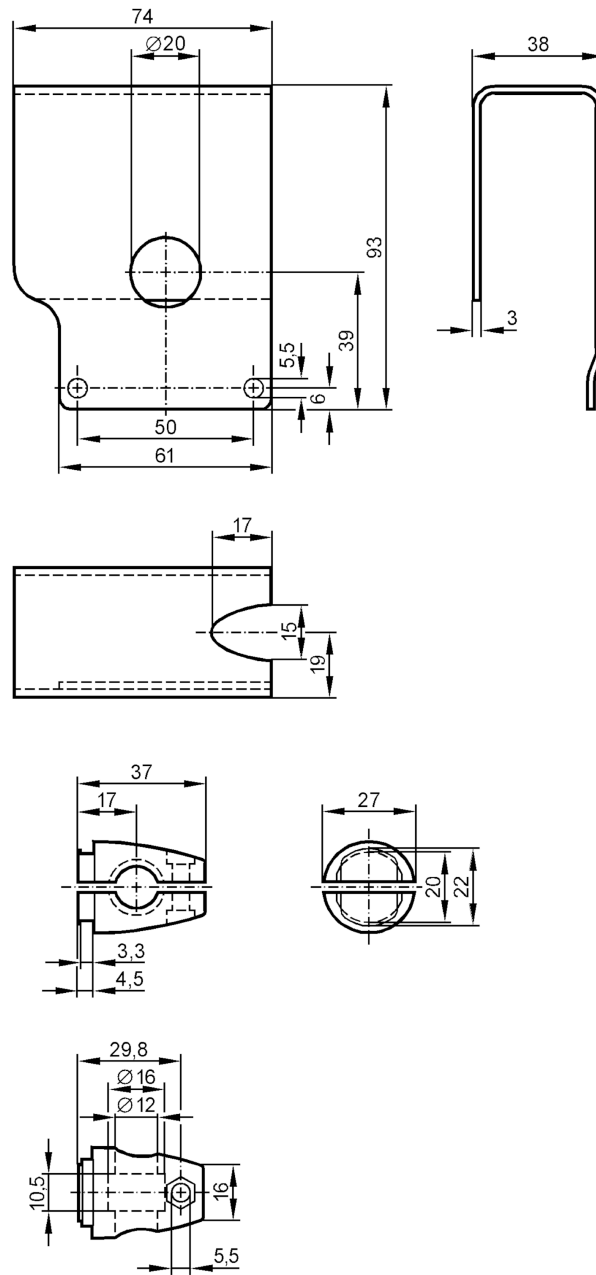
E20839



Mounting set with protective cover for photoelectric sensors

MOUNTING SET FOR OL

Article no longer available - archive entry



Application

Design: clamp mounting, with protective cover

Mechanical data

Type of mounting: Mounting rod; (Ø 12 mm)

Materials: fixture: stainless steel (1.4305 / 303); Clamp: brass nickel-plated

Remarks

Pack quantity: 1 pcs.