

E12062

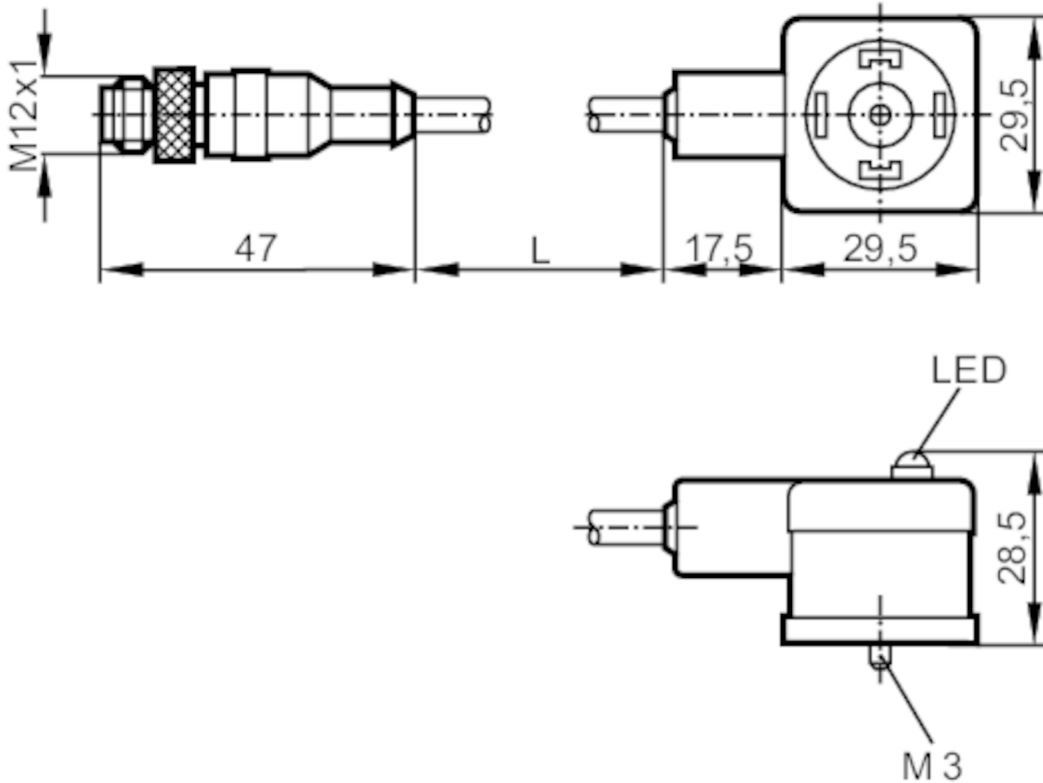


Connection cable

STGH050MSS0004B03VDAA041--S

Article no longer available - archive entry

Discontinuation date: 31.03.2017



Application

Special feature	Free from silicone; Halogen-free; Gold-plated contacts
Free from silicone	yes

Electrical data

Operating voltage [V]	< 24 AC/DC
Overvoltage protection	free-wheeling diode

Operating conditions

Ambient temperature [°C]	-25...90
Protection	IP 67

Mechanical data

Weight [g]	226
Materials	TPU
Material nut	brass, nickel-plated / brass, nickel-plated

Displays / operating elements

Display	operation	1 x LED, green
---------	-----------	----------------

Accessories

Accessories (supplied)	screw panel for labelling
------------------------	------------------------------

E12062



Connection cable

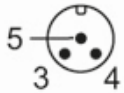
STGH050MSS0004B03VDAA041--S

Remarks

Notes	discontinued article
Pack quantity	1 pcs.

Electrical connection - plug

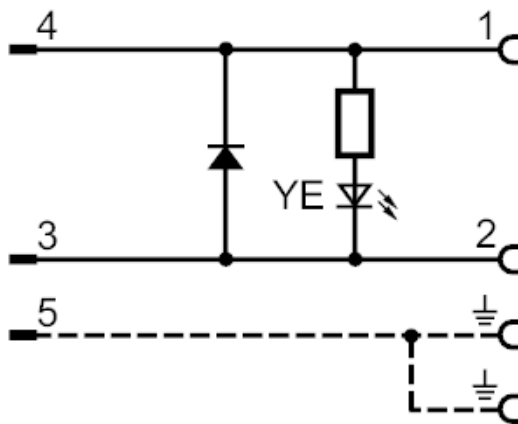
Connector: 1 x M12, straight; Moulded body: TPU; Locking: brass, nickel-plated; Contacts: gold-plated



Electrical connection

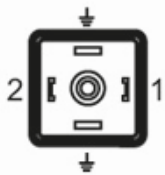
Cable: 4 m, PUR / PVC, Halogen-free; 3 x 0.5 mm² (42 x Ø 0.1 mm)

Connection



Electrical connection - socket

Connector: 1 x valve type A DIN, angled; Moulded body: TPU; Locking: brass, nickel-plated; Contacts: nickel-plated brass



Article no longer available - archive entry

Discontinuation date: 31.03.2017