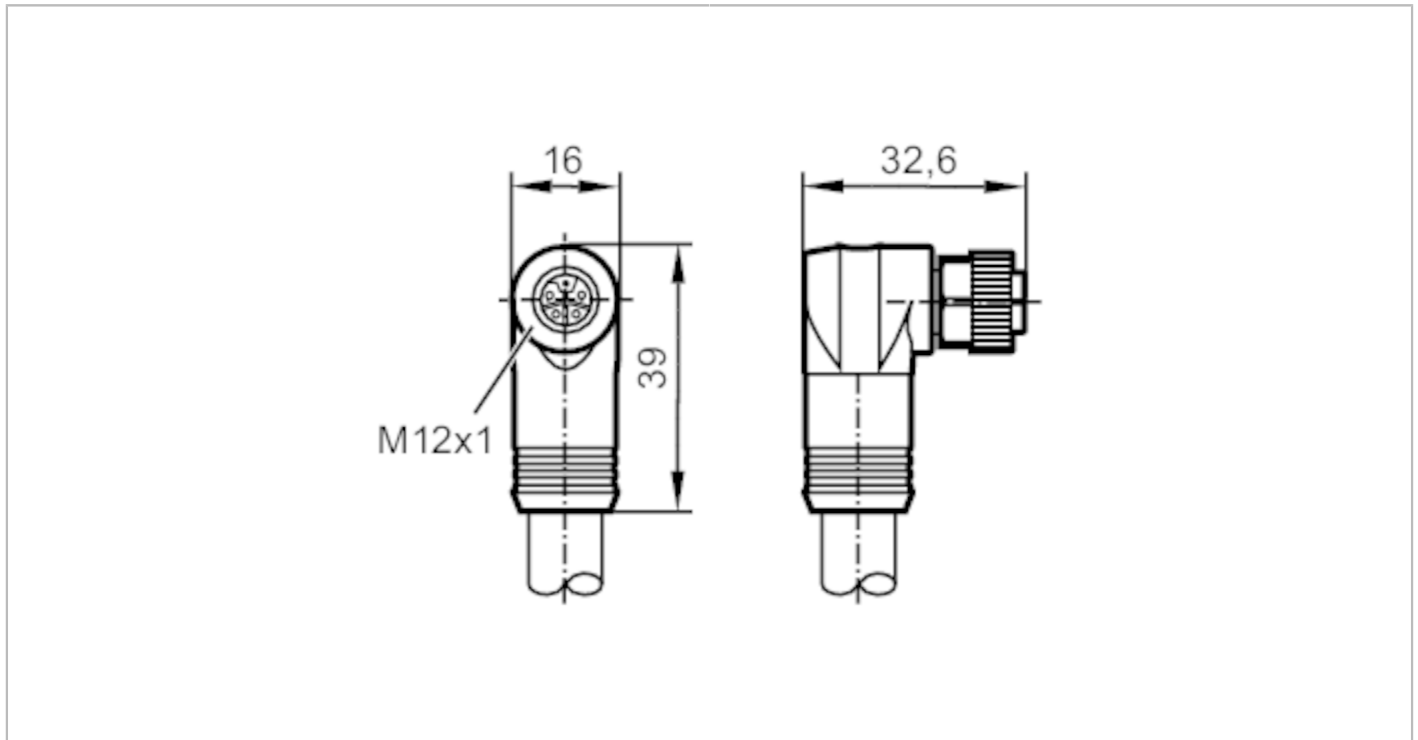


E12646



Connecting cable with socket

ADOAX050MSS0002H05



Application	
Special feature	Gold-plated contacts
Design	power cable, L-coded
Electrical data	
Operating voltage [V]	63 DC
Max. current load total [A]	16
Operating conditions	
Ambient temperature [°C]	-40...90
Protection	IP 67
Mechanical data	
Weight [g]	464.9
Dimensions [mm]	39 x 16 x 38.1
Materials	PP
Moulded-body material	TPE
Material nut	brass, nickel-plated
Remarks	
Pack quantity	1 pcs.
Electrical connection	
Cable: 2 m, PUR, black, Ø 11.3 mm; 5 x 2.5 mm ²	
Electrical connection - socket	
Connector: 1 x M12, angled; coding: L; Moulded body: TPE; Locking: brass, nickel-plated; Contacts: gold-plated	

E12646



Connecting cable with socket

ADOAX050MSS0002H05



Connection

1	BN
2	WH
3	BU
4	BK
5	GY