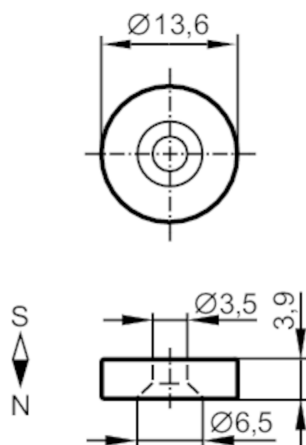


E12537



Damping magnet

MAGNET M3.2 HARD FERRITE



Operating conditions

Ambient temperature	[°C]	-40...250
---------------------	------	-----------

Mechanical data

Weight	[g]	4
Dimensions	[mm]	Ø 13 / L = 4
Materials		hard ferrite HF 24/23
Magnetic field strength	[mT]	85

Remarks

Pack quantity		1 pcs.
---------------	--	--------