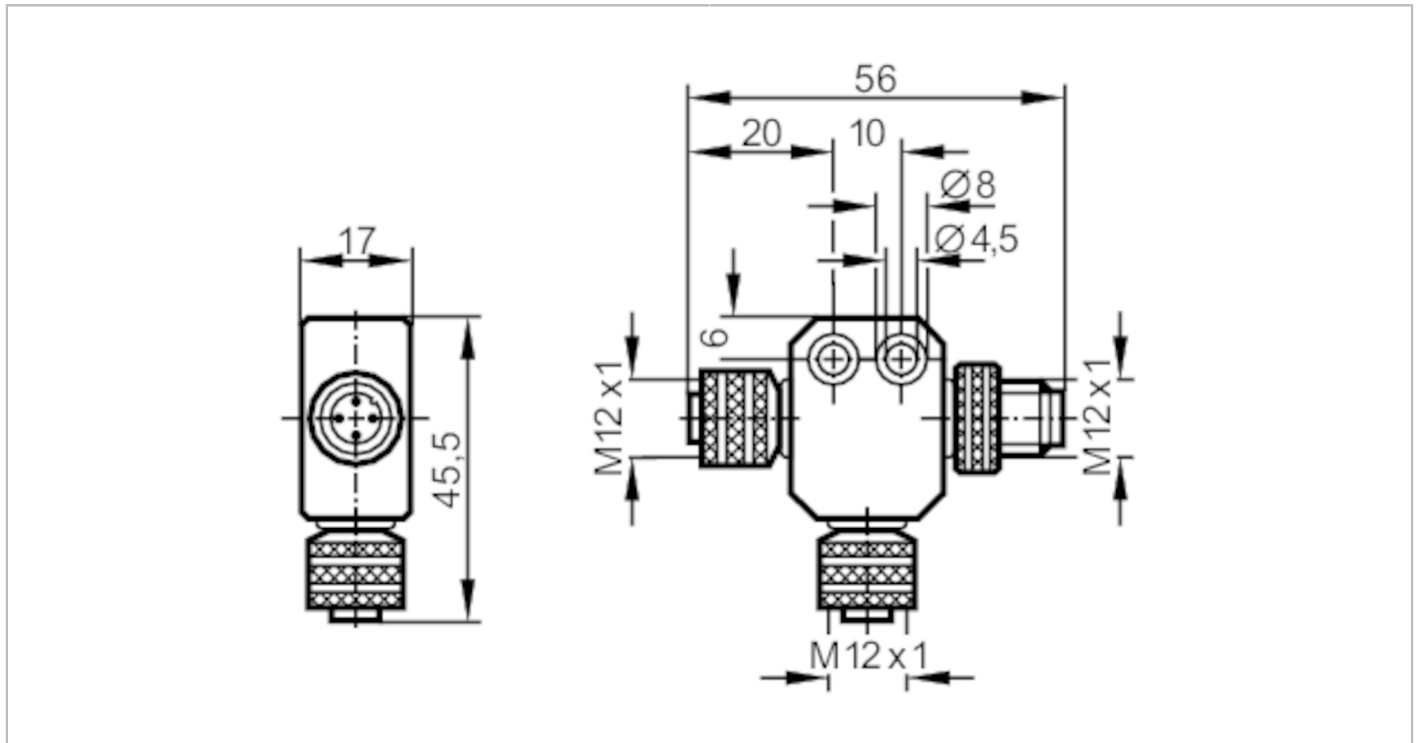


# E11696



## T-splitter

Y-splitter/STM12/2xUS



Application	
Design	for pressure sensors PNI
Electrical data	
Operating voltage [V]	< 30 AC / < 36 DC
Max. current load per module/slot [A]	3
Max. current load total [A]	3
Operating conditions	
Ambient temperature [°C]	-25...90
Protection	IP 68
Mechanical data	
Weight [g]	38
Materials	PUR
Remarks	
Remarks	orientation connectors A/B vertical (for a vertical sensor)
Pack quantity	1 pcs.

# E11696



## T-splitter

Y-splitter/STM12/2xUS

### Electrical connection

### Connection

