

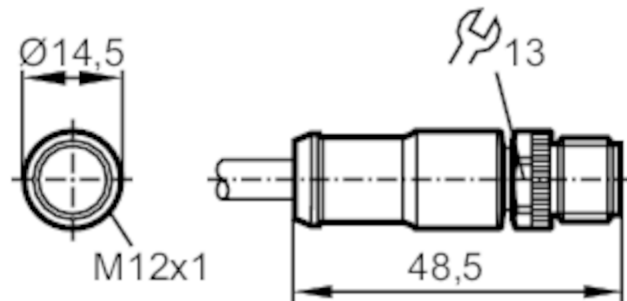
E11599



Connecting cable with plug

ASTGH050MSA0005C02

discontinued article
Discontinuation date: 04/28/2021



CE

Application	
Special feature	Halogen-free; Gold-plated contacts; Screened cable; Drag chain suitability
Application	CAN bus
Electrical data	
Operating voltage [V]	< 30 AC / < 36 DC
Max. current load total [A]	4
Operating conditions	
Ambient temperature [°C]	-25...85
Storage temperature [°C]	-40...80
Protection	IP 68

E11599



Connecting cable with plug

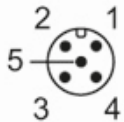
ASTGH050MSA0005C02

Mechanical data		
Weight [g]	350	
Dimensions [mm]	14.5 x 14.5 x 48.5	
Materials	PUR	
Moulded-body material	PUR	
Material nut	brass, nickel-plated	
Drag chain suitability	yes	
Drag chain suitability	bending radius for flexible use	min. 10 x cable diameter
	bending radius for fixed installation	min. 5 x cable diameter
	travel speed	max. 3.3 m/s for a horizontal travel length of 5 m and max. acceleration of 5 m/s ²
	bending cycles	> 1 Mio.

Remarks	
Pack quantity	1 pcs.

Electrical connection
Cable: 5 m, PUR, Halogen-free, lilac, Ø 6.8 mm, shielded; 2 x 0.25 mm² (19 x Ø 0.13 mm) + 2 x 0.34 mm² (19 x Ø 0.16 mm) + 1 x 0.34 mm² (19 x Ø 0.16 mm)

Electrical connection - plug
Connector: 1 x M12, straight; Moulded body: PUR; Locking: brass, nickel-plated; Contacts: gold-plated; Tightening torque: 0.5 Nm



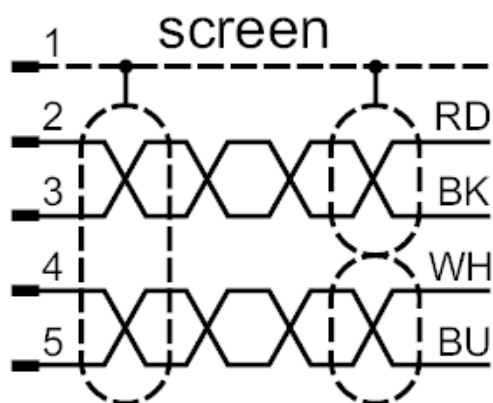
E11599



Connecting cable with plug

ASTGH050MSA0005C02

Connection



Core colours :

BK = black
BU = blue
RD = red
WH = white
screen = screen