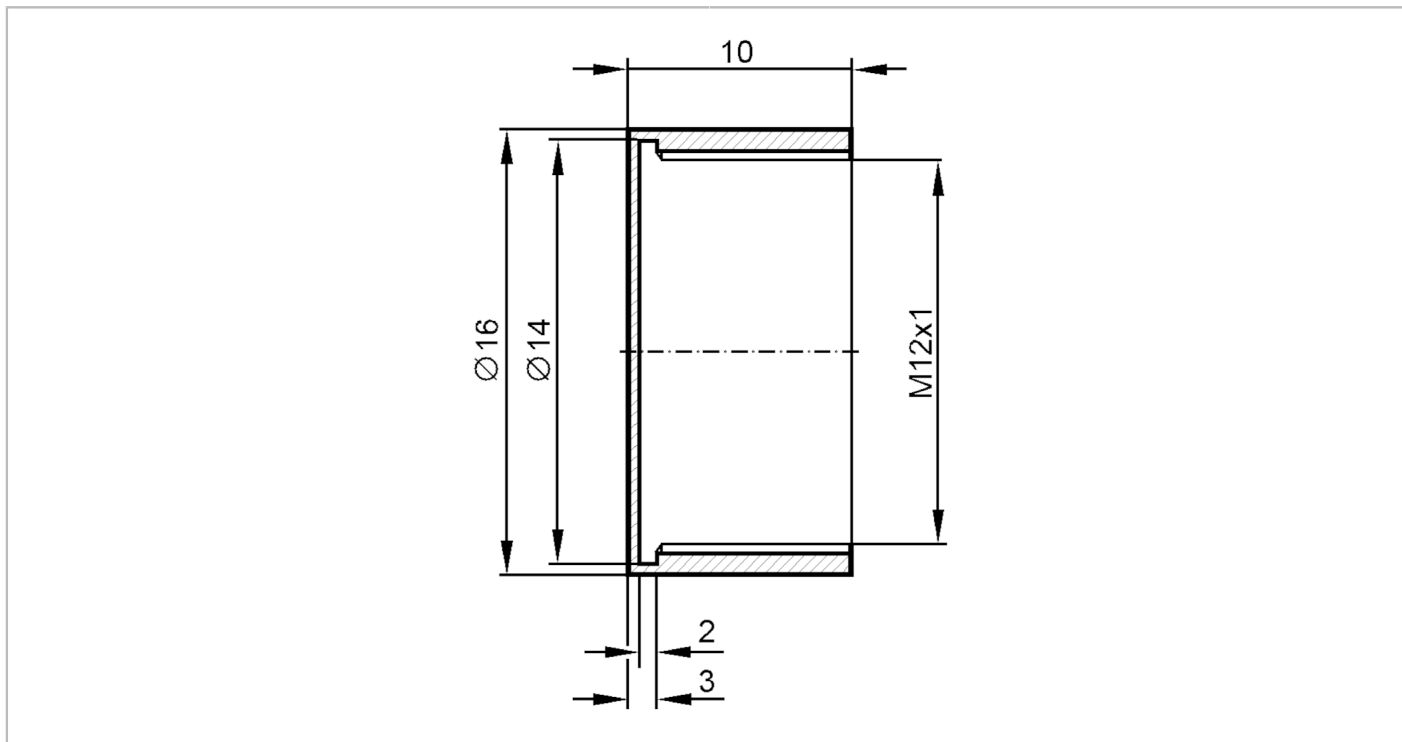


E10242



Protective cover

PROTECTIVE COVER M12 PTFE



Mechanical data

| | | |
|-------------------|------|---|
| Weight | [g] | 4.5 |
| External diameter | [mm] | 16 |
| Materials | | PTFE |
| Sensor connection | | threaded connection M12 x 1 internal thread |

Remarks

| | | |
|---------------|--|--------|
| Pack quantity | | 1 pcs. |
|---------------|--|--------|