

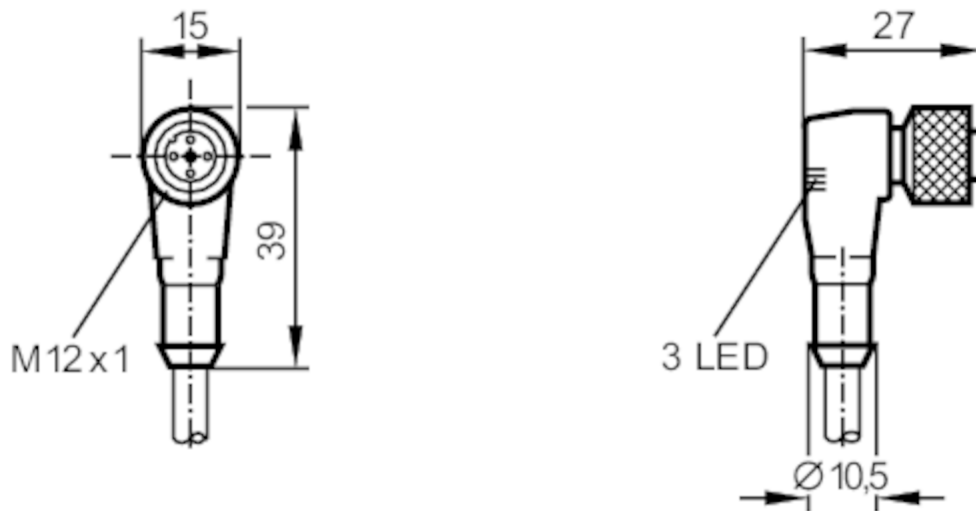
# E10871



## Connecting cable with socket

ADOAH043MSS0010H04

Article no longer available - archive entry



### Application

Special feature Halogen-free

### Electrical data

Operating voltage [V] 10...30 DC

### Outputs

Electrical design PNP

### Operating conditions

Ambient temperature [°C] -25...90

Protection IP 67

### Mechanical data

Dimensions [mm] 27 x 15 x 39

Materials TPU

Moulded-body material TPU

Material nut brass, anti-spatter

### Displays / operating elements

|         |                  |                 |
|---------|------------------|-----------------|
| Display | switching status | 2 x LED, yellow |
|         | operation        | 1 x LED, green  |

### Remarks

Pack quantity 1 pcs.

### Electrical connection

Cable: 10 m, PUR, Halogen-free; cross-linked; 4 x 0.34 mm<sup>2</sup> (19 x Ø 0.15 mm)

### Electrical connection - socket

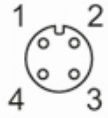
Connector: 1 x M12, angled; Moulded body: TPU; Locking: brass, anti-spatter

# E10871

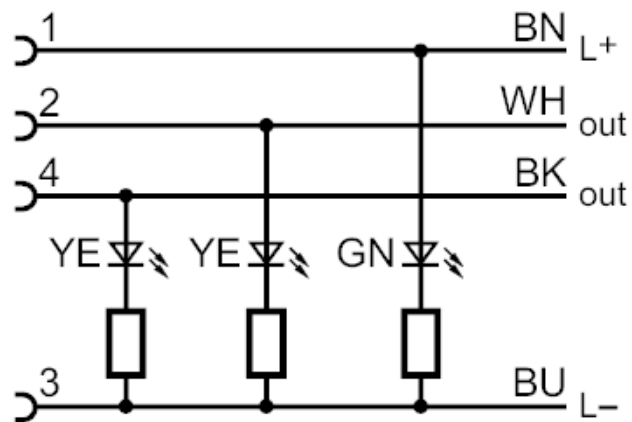


## Connecting cable with socket

ADOAH043MSS0010H04



### Connection



Core colours :

|      |       |
|------|-------|
| BK = | black |
| BN = | brown |
| BU = | blue  |
| WH = | white |