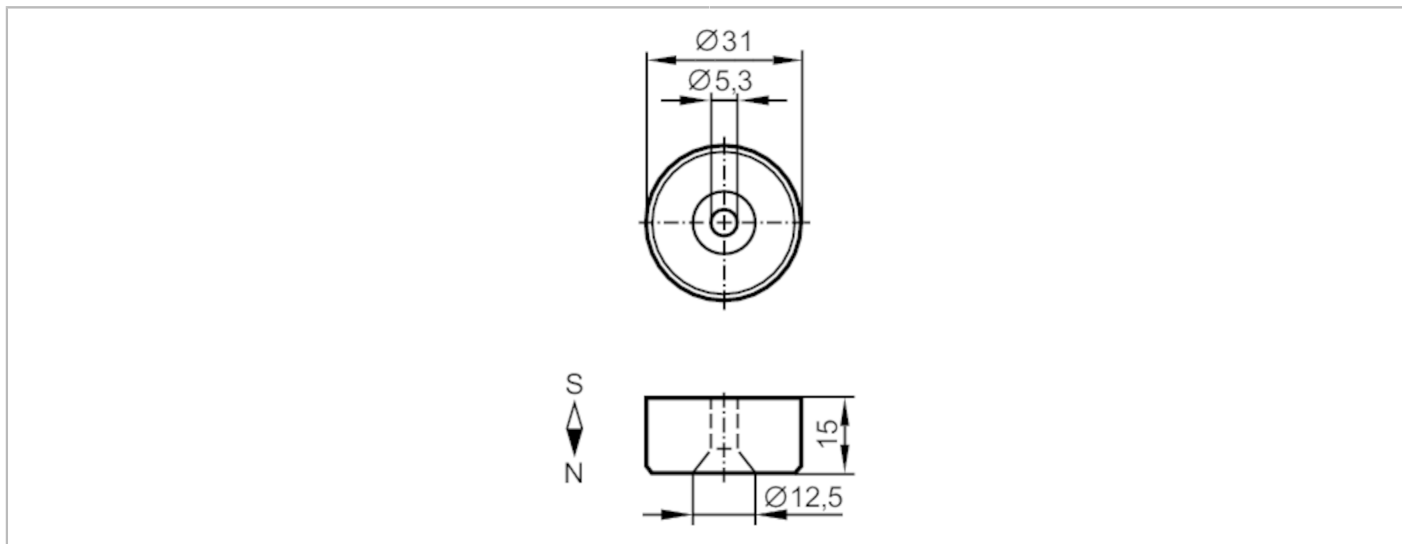


E10753



Damping magnet

MAGNET M5.0 HARD FERRITE



Operating conditions		
Ambient temperature	[°C]	-25...250
Mechanical data		
Weight	[g]	56.5
Dimensions	[mm]	Ø 31 / L = 15
Materials		hard ferrite HF 26/22
Magnetic field strength	[mT]	120
Remarks		
Pack quantity		1 pcs.