

E10678



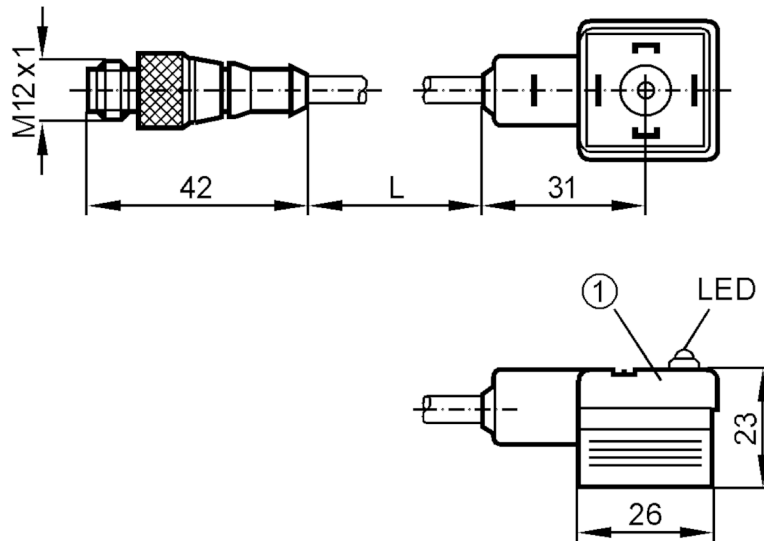
Jumper cable with valve plug

VVSAC041--S0001B03STGH040MSS

Article no longer available - archive entry

Alternative articles: E11438

When selecting an alternative article and accessories please note that technical data may differ!



1 black

Electrical data

Operating voltage [V] < 24 AC/DC

Operating conditions

Ambient temperature [°C] -25...90

Protection IP 65

Mechanical data

Materials TPU

Moulded-body material TPU

Material nut brass, nickel-plated

Displays / operating elements

Display switching status 1 x LED, yellow

Remarks

Pack quantity 1 pcs.

E10678



Jumper cable with valve plug

VVSAC041--S0001B03STGH040MSS

Electrical connection - plug

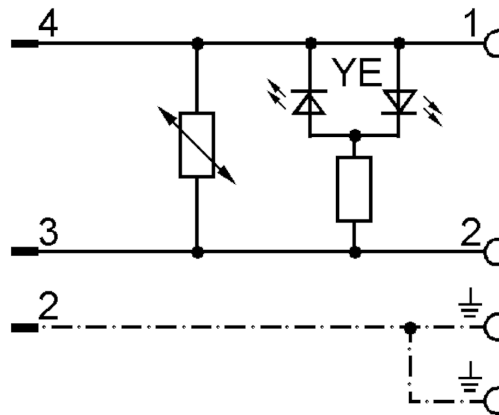
Connector: 1 x M12, straight; coding: A; Moulded body: TPU; Locking: brass, nickel-plated



Electrical connection

Cable: 1 m, PUR; 3 x 0.34 mm²

Connection



Electrical connection - socket

Connector: 1 x valve type A DIN, angled; Moulded body: TPU; Locking: brass, nickel-plated

