

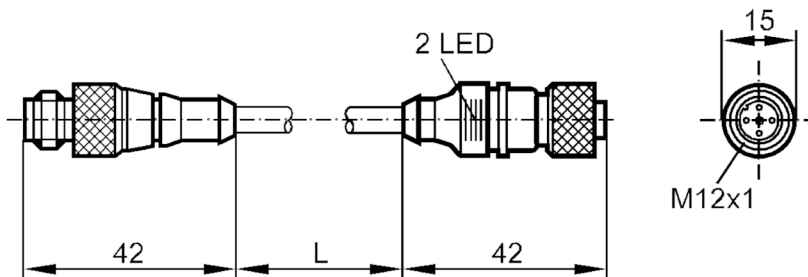
E10457



Connection cable

VDOGH042MSS00,3A04STGH040MSS

Article no longer available - archive entry



Electrical data

Operating voltage [V] 10...30 DC

Outputs

Electrical design PNP

Operating conditions

Ambient temperature [°C] -25...90

Protection IP 67

Mechanical data

Materials TPU

Moulded-body material TPU

Material nut brass, nickel-plated

Displays / operating elements

Display	switching status	1 x LED, yellow
	operation	1 x LED, green

Remarks

Pack quantity 1 pcs.

Electrical connection - plug

Connector: 1 x M12, straight; Moulded body: TPU; Locking: brass, nickel-plated; Tightening torque: 0.5 Nm



E10457



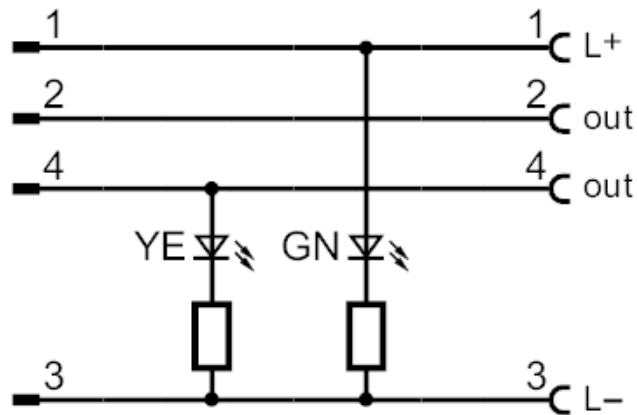
Connection cable

VDOGH042MSS00,3A04STGH040MSS

Electrical connection

Cable: 0.3 m, PUR / PVC; 4 x 0.25 mm² (32 x Ø 0.1 mm)

Connection



Core colours :

BK = black
BN = brown
BU = blue
WH = white

Electrical connection - socket

Connector: 1 x M12, straight; Moulded body: TPU; Locking: brass, nickel-plated; Tightening torque: 0.5 Nm

