

# E10440



## Connecting cable with socket

ADOAF032MSS0020E03

Article no longer available - archive entry



### Electrical data

Operating voltage [V]	10...30 DC
Protection class	III

### Operating conditions

Ambient temperature [°C]	-25...90
Protection	IP 67

### Mechanical data

Dimensions [mm]	17 x 10 x 26
Materials	TPU transparent
Moulded-body material	TPU, transparent
Material nut	brass, nickel-plated

### Displays / operating elements

Display	switching status	1 x LED, yellow
	operation	1 x LED, green

### Remarks

Pack quantity	1 pcs.
---------------	--------

### Electrical connection

Cable: 20 m, PVC, orange, Ø 5 mm; 3 x 0.34 mm<sup>2</sup> (42 x Ø 0.1 mm )

### Electrical connection - socket

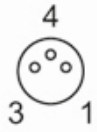
Connector: 1 x M8, angled; Moulded body: TPU, transparent; Locking: brass, nickel-plated

# E10440

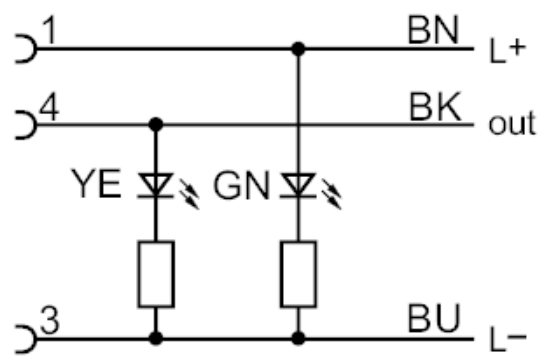


## Connecting cable with socket

ADOAF032MSS0020E03



### Connection



Core colours :

BN = brown  
BK = black  
BU = blue