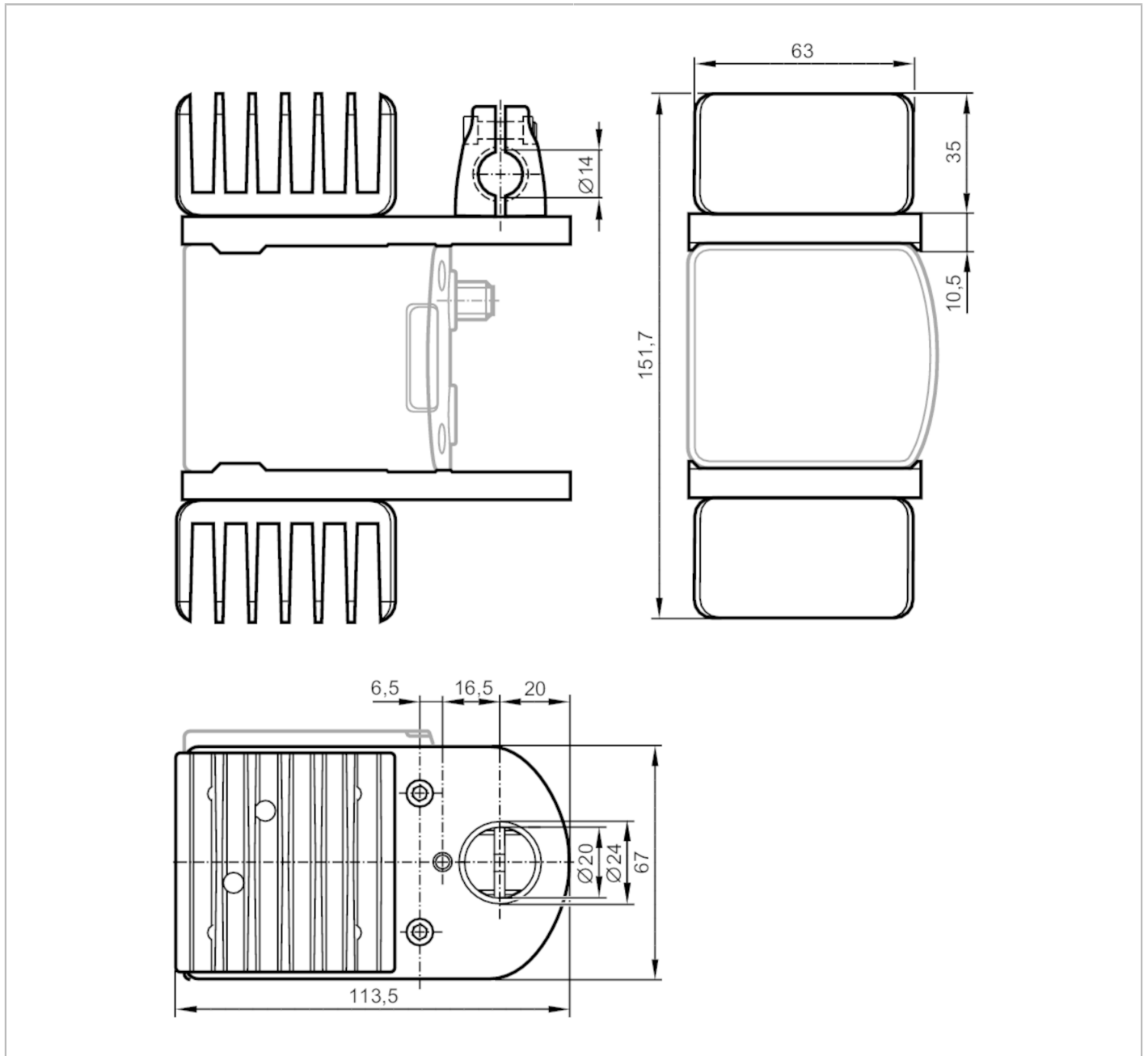


E3D354



Cooling element for 3D cameras

COOLING ELEMENT 2 SMART CAM FF



Application	
Application	heat sink with variable flow direction
Mechanical data	
Weight [g]	813
Installation instruction	heat sink can be rotated by 90°
Materials	dissipator: AISi1MgMn; Heat conductor: AlMg3
Accessories	
Items supplied	Cooling elements: 2, Heat conductor fitted
	cylinder screws: 2 x M5 x 75
	countersunk screws: 8 x M5 x 16
	Clamp
	installation instructions

E3D354



Cooling element for 3D cameras

COOLING ELEMENT 2 SMART CAM FF

Remarks

Pack quantity

1 pcs.

Diagrams and graphs

