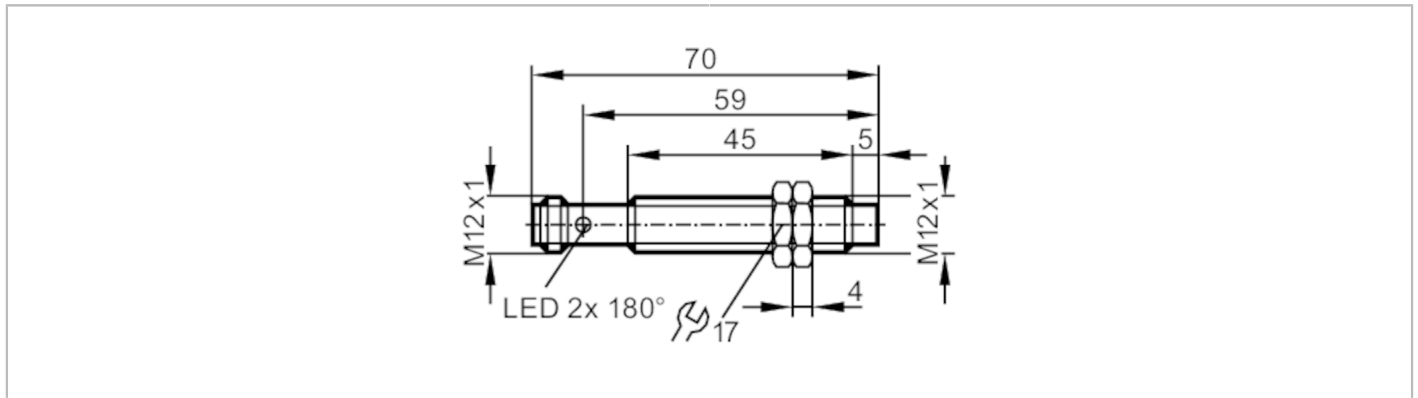


# DTI411



## RFID read/write head HF

DTRHF FNRWIOUS03



Application					
Application	detection of objects on transport equipment				
Radio approval for	USA; Canada; EU/RED; Australia; Japan; China; Taiwan; India; Singapore; South Korea				
Note on radio approval	The list of countries applying the European Radio Equipment Directive 2014/53/EU (RED) can be found under "Downloads".				
Electrical data					
Operating voltage [V]	19.2...28.8 DC				
Current consumption [mA]	< 50				
Protection class	III				
Operating frequency [MHz]	13,56				
RFID standard	ISO 15693				
Detection zone					
Distance write/read head front [mm]	90				
Distance write/read head side [mm]	25				
Distance to the ID tag [mm]	referred to 20 mm coin tag; I-CODE SLI : ≤ 18				
Interfaces					
Communication interface	IO-Link				
Transmission type	COM2 (38,4 kBaud)				
IO-Link revision	1.1				
SDCI standard	IEC 61131-9				
Profiles	Smart Sensor: Device Identification				
SIO mode	no				
Required master port type	A				
Supported DeviceIDs	<table border="1"> <thead> <tr> <th>Type of operation</th> <th>DeviceID</th> </tr> </thead> <tbody> <tr> <td>default</td> <td>967</td> </tr> </tbody> </table>	Type of operation	DeviceID	default	967
Type of operation	DeviceID				
default	967				
Operating conditions					
Ambient temperature [°C]	-20...60				
Storage temperature [°C]	-25...80				
Protection	IP 67; IP 69K				

# DTI411



## RFID read/write head HF

DTRHF FNRWIOUS03

Tests / approvals		
Shock resistance	EN 60068-2-27	40 g 6 ms / repetitive
	EN 60068-2-27	50 g 11 ms / not repetitive
Vibration resistance	EN 60068-2-6	20 g 10...2000 Hz
MTTF [years]		613.74
UL approval	Ta	-20...60 °C
	Enclosure type	Type 1
	power supply	Limited Voltage/Current
	File number UL	E205959

Mechanical data		
Weight [g]		111.5
Housing		cylindrical
Mounting		non-flush mountable
Dimensions [mm]		M12 x 1 / L = 70
Thread designation		M12 x 1
Materials		housing: stainless steel; Protective cover: PPS

Displays / operating elements		
Display	operation	1 x LED, green
	tag communication	1 x LED, yellow

Accessories		
Items supplied		nut 2 x M12 x 1

Remarks		
Pack quantity		1 pcs.

### Electrical connection

Connector: 1 x M12; coding: A



### Connection

