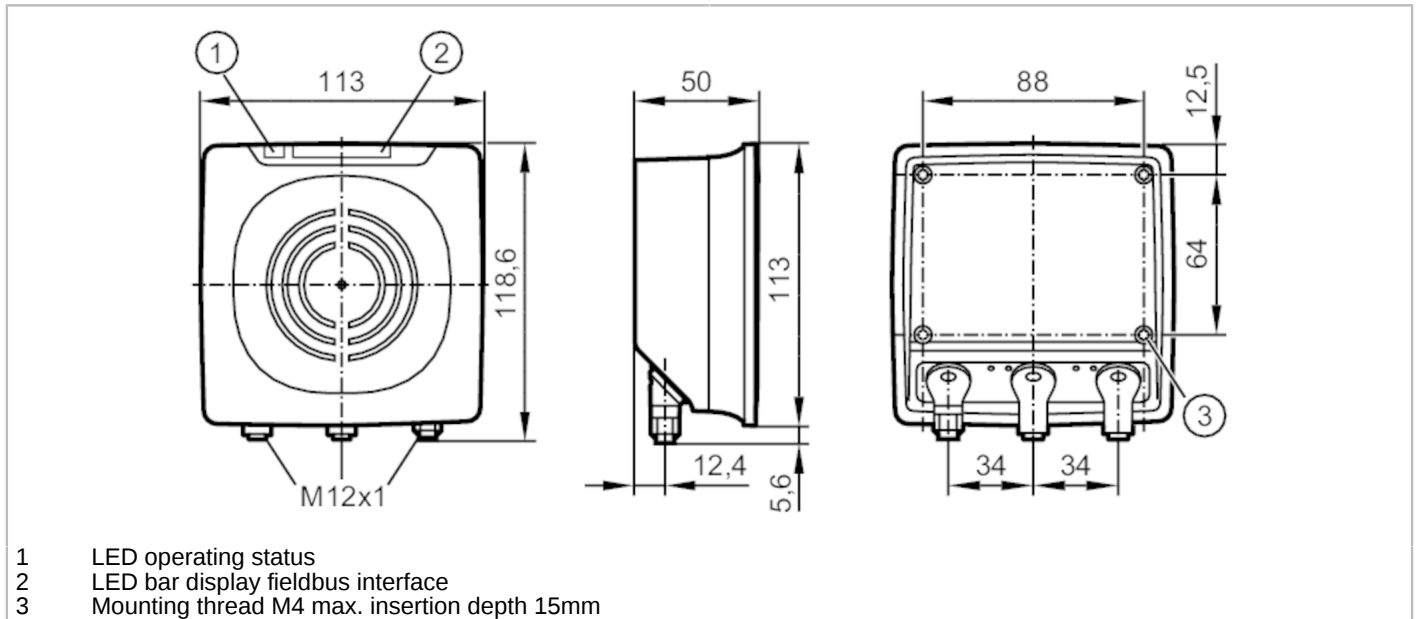


DTE905



Compact RFID device

DTRUHFA HLRWITUS04



Application	
Radio approval for	USA; Canada; Mexico
Electrical data	
Operating voltage [V]	19.2...28.8 DC
Current consumption [mA]	500
Power consumption [W]	8.6
Protection class	III
Operating frequency [MHz]	902...928
RFID standard	EPC Class1 GEN2/ISO 18000-63
Transmission power EIRP [mW]	200; (maximum: 250 mW)
Outputs	
Max. current load per output [mA]	100; (max.)
Interfaces	
Communication interface	Ethernet
Ethernet - Internet of Things	
Transmission standard	10Base-T; 100Base-TX
Transmission rate	10 MBit/s; 100 MBit/s
Protocol	MQTT JSON
Factory settings	IP address: 192.168.0.79 subnet mask: 255.255.255.0 gateway IP address: 192.168.0.100
Usage type	parameter setting; data transmission
Operating conditions	
Ambient temperature [°C]	-20...55
Note on ambient temperature	with mounting plate and cooling element: -20...60 °C
Storage temperature [°C]	-25...80

DTE905



Compact RFID device

DTRUHFA HLRWITUS04

Protection	IP 67
------------	-------

Tests / approvals

Shock resistance	IEC 60028-2-27	40 g (6 ms) / bump
		50 g (11 ms) / single shock
Vibration resistance	EN 60068-2-6	2 g (10...150 Hz)
UL approval	Ta	-20...60 °C
	Enclosure type	Type 1
	power supply	Limited Voltage/Current
	File number UL	E205959

Mechanical data

Weight [g]	692.7
Dimensions [mm]	113 x 118.6 x 50
Materials	housing: aluminium; PBT / PC; stainless steel

Displays / operating elements

Display	power supply	1 x LED, green
	LED bar display	4 x LED, yellow signal strength ID tag
	status	2 x LED, green/red fieldbus interface
	status	2 x LED, green/yellow Ethernet

Remarks

Pack quantity	1 pcs.
---------------	--------

Electrical connection - Ethernet

Connector: 2 x M12; coding: D

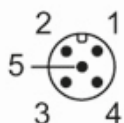


ETH1 / ETH2

1	TD+
2	RD+
3	TD-
4	RD-

Electrical connection - power supply

Connector: 1 x M12; coding: A



DTE905



Compact RFID device

DTRUHFA HLRWITUS04

PWR

1	L+
2	digital input/output 2
3	L-
4	digital input/output 1
5	not used