

DT0001

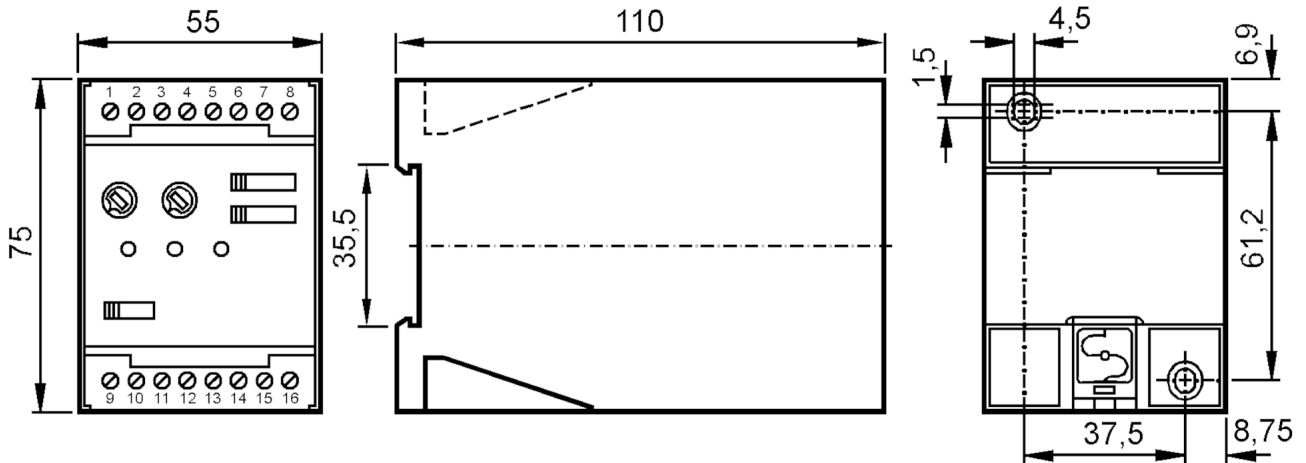


Multifunction timer relay

T700/230VAC

Article no longer available - archive entry

replaced by: DL0201; discontinued article – Discontinuation date: 31.03.2017



Product characteristics

Housing housing for DIN rail mounting

Application

Application power supply and switching amplifier with timer function

Electrical data

Nominal voltage AC	[V]	< 230
Nominal voltage DC	[V]	24
Nominal voltage tolerance	[%]	10
Nominal voltage tolerance 2	[%]	10
Nominal frequency AC	[Hz]	50...60
Auxiliary energy for sensors DC	[V]	24; ($\pm 5\%$, ≤ 40 mA)

Inputs / outputs

Number of inputs and outputs Number of relay outputs: 1

Outputs

Number of relay outputs 1
Contact rating 8 A / 1250 VA / 250 V AC

Accuracy / deviations

Repeatability [% of Sr] < 3

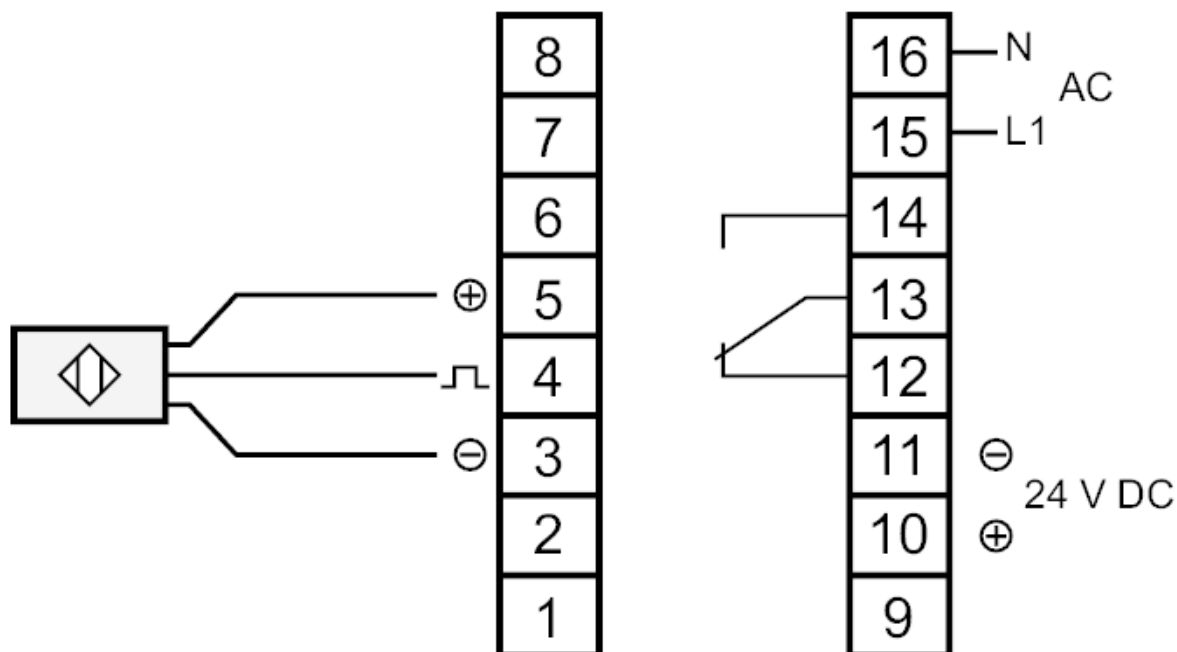
DT0001



Multifunction timer relay

T700/230VAC

Operating conditions		
Ambient temperature	[°C]	0...55
Protection		IP 40
Protection rating terminals		IP 20
Tests / approvals		
MTTF	[years]	471
Mechanical data		
Weight	[g]	444.4
Housing		housing for DIN rail mounting
Materials		plastics
Displays / operating elements		
Display	switching status	LED, green
	operation	1 x LED, green
Electrical connection		
terminals: ...4 mm ²		
Connection		



Article no longer available - archive entry

replaced by: DL0201; discontinued article – Discontinuation date: 31.03.2017