

DI502A

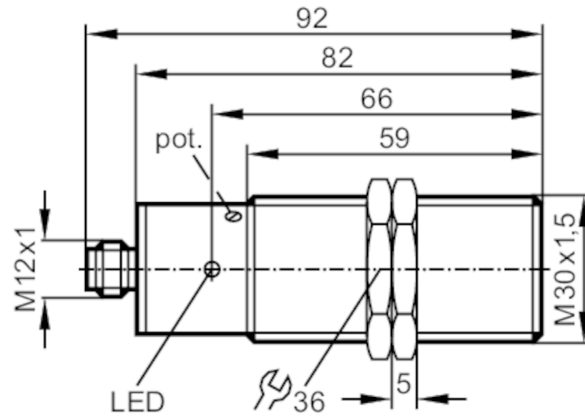


Compact evaluation unit for speed monitoring

DIA3010-ZPKG/US-100-DPS/3D

Article no longer available - archive entry

replaced by: DI505A



Product characteristics

Electrical design		PNP
Output function		normally open
Sensing range	[mm]	10
Dimensions	[mm]	M30 x 1.5 / L = 82

Application

Application	simple evaluation of rotating and linear movement with regard to underspeed; blocking
-------------	---------------------------------------------------------------------------------------

Electrical data

Nominal voltage DC	[V]	10...36
Current consumption	[mA]	< 15
Protection class		III
Reverse polarity protection		yes

Outputs

Total number of outputs		1
Electrical design		PNP
Output function		normally open
Max. voltage drop switching output DC	[V]	2.5
Permanent current rating of switching output DC	[mA]	250
Short-time current rating of switching output	[mA]	250
Switching frequency DC	[Hz]	100
Short-circuit proof		yes
Overload protection		yes

Detection zone

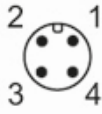
Sensing range	[mm]	10
Sensing range adjustable		no

DI502A



Compact evaluation unit for speed monitoring

DIA3010-ZPKG/US-100-DPS/3D

Measuring/setting range		
Setting range	[Imp/min]	5...300
Accuracy / deviations		
Correction factor		steel: 1 / stainless steel: 0.7 / brass: 0.5 / aluminium: 0.4 / copper: 0.3
Hysteresis	[% of Sr]	10
Response times		
Start-up delay	[s]	15; (typical)
Max. damping frequency	[Imp/min]	15000
Software / programming		
Adjustment of the switch point		multiturn potentiometer
Operating conditions		
Ambient temperature	[°C]	-20...60
Protection		IP 67
Tests / approvals		
ATEX marking		Ex II 3D Ex tD A22 IP67 T80°C X Ta: -20°C...+60°C
EMC		EN 60947-5-2
MTTF	[years]	898
Mechanical data		
Weight	[g]	0.209
Mounting		flush mountable
Dimensions	[mm]	M30 x 1.5 / L = 82
Thread designation		M30 x 1.5
Materials		brass special coating; PBT
Displays / operating elements		
Display	switching status	1 x LED, green
Electrical connection		
Connector: 1 x M12		
		

DI502A



Compact evaluation unit for speed monitoring

DIA3010-ZPKG/US-100-DPS/3D

Connection



Article no longer available - archive entry

replaced by: DI505A