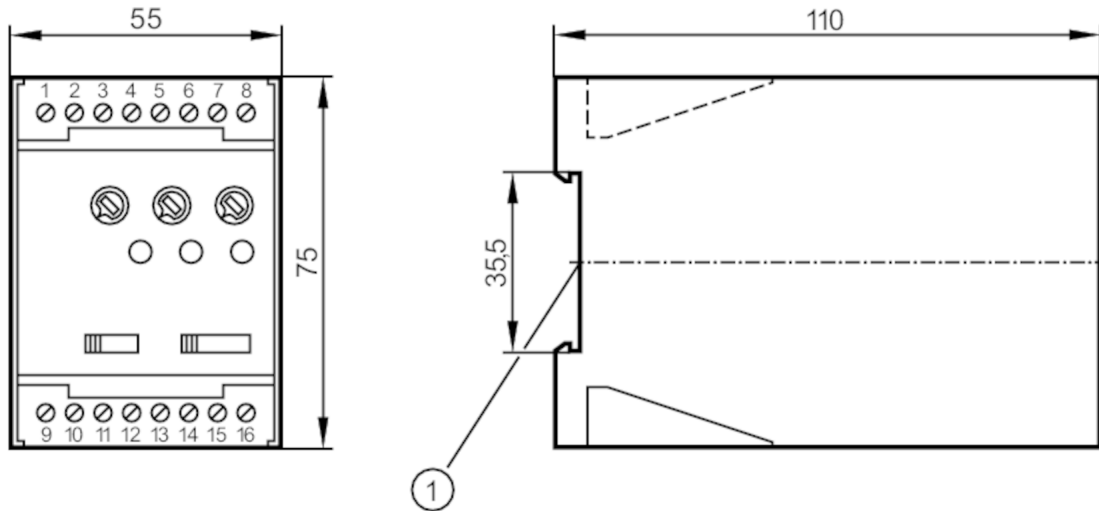




## Evaluation unit for speed monitoring

D100/ 12VDC

Article no longer available - archive entry



1 mounting on DIN rail



### Product characteristics

Housing	housing for DIN rail mounting
Dimensions [mm]	75 x 55 x 110

### Application

Application	universal evaluation of pulse sequences with regard to overspeed and underspeed; rotational speed monitoring
-------------	--

### Electrical data

Nominal voltage DC [V]	24
Nominal voltage tolerance [%]	10
Nominal voltage tolerance 2 [%]	10
Auxiliary energy for sensors DC [V]	24; ( $\leq 30$ mA)

### Inputs / outputs

Number of inputs and outputs	Number of relay outputs: 1
------------------------------	----------------------------

### Outputs

Number of relay outputs	1
Contact rating	8 A / 1250 VA / 250 V AC

### Measuring/setting range

Setting range [Imp/min]	5...5000
-------------------------	----------

### Accuracy / deviations

Hysteresis [% of Sr]	5...100
Repeatability [% of Sr]	1

### Response times

Start-up delay [s]	0.5...15
--------------------	----------

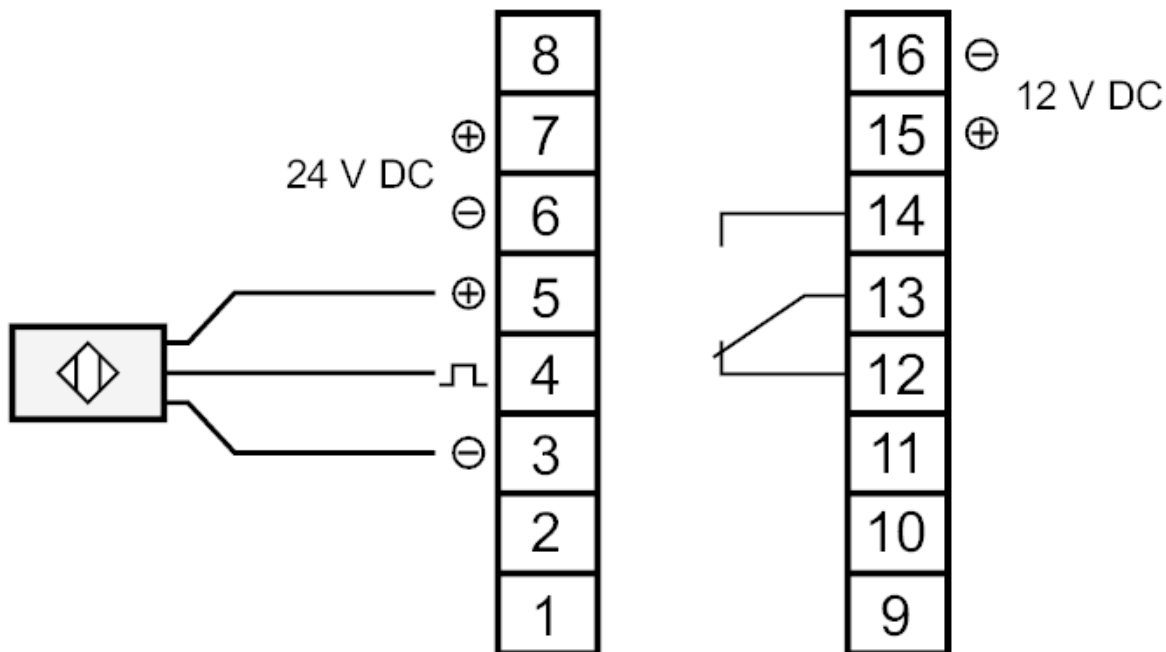
# DD0008



## Evaluation unit for speed monitoring

D100/ 12VDC

Software / programming		
Adjustment of the switch point	fine adjustment within the range with potentiometer	
Operating conditions		
Ambient temperature [°C]	-20...70	
Protection	IP 40	
Protection rating terminals	IP 20	
Tests / approvals		
MTTF [years]	400	
Mechanical data		
Weight [g]	0.272	
Housing	housing for DIN rail mounting	
Dimensions [mm]	75 x 55 x 110	
Materials	plastics	
Displays / operating elements		
Display	switching status	LED, green
	operation	1 x LED, green
Electrical connection		
Connection		



# DD0008



## Evaluation unit for speed monitoring

D100/ 12VDC

01:	not used
02:	not used
03:	DC Sensor supply (-)
04:	sensor signal pnp
05:	DC Sensor supply (+)
06:	24 V DC supply voltage (-)
07:	24 V DC supply voltage (+)
08:	not used
09:	not used
10:	not used
11:	not used
12:	relay normally closed
13:	relay common
14:	relay normally open
15:	12 V DC supply voltage (+)
16:	12 V DC supply voltage (-)