

AL1301

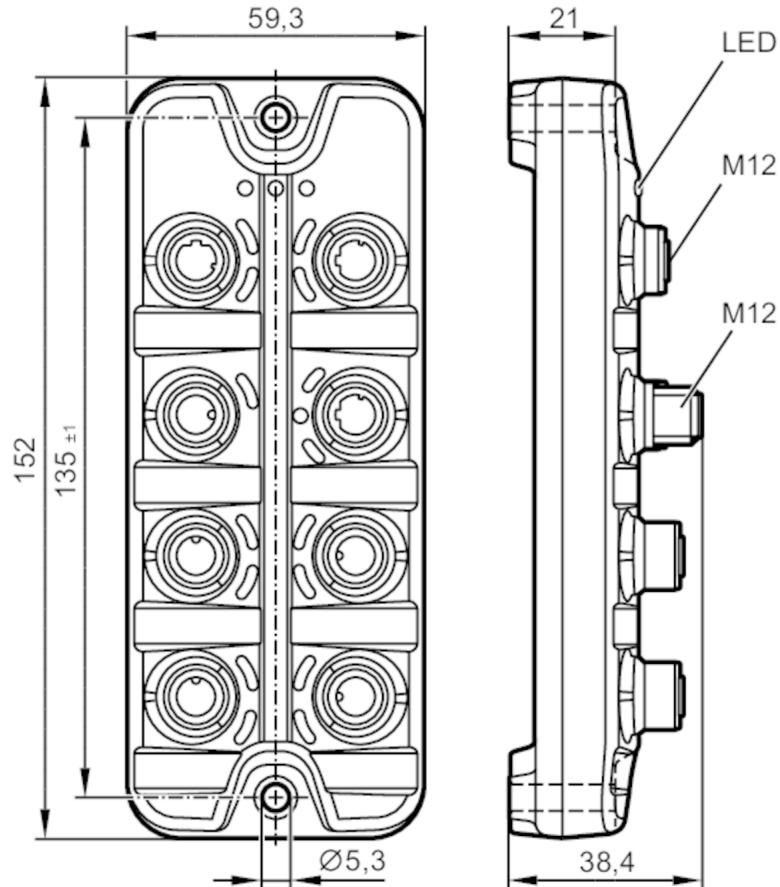


IO-Link master with PROFINET interface

IO-Link Master DL PN 4P IP69K

Alternative articles: AL1305

When selecting an alternative article and accessories please note that technical data may differ!



| Application | |
|------------------------------------|---|
| Application | hygienic systems; I/O modules for field applications |
| Daisy-chain function | fieldbus interface |
| Electrical data | |
| Operating voltage [V] | 20...28 DC; (US ; to SELV/PELV) |
| Current consumption [mA] | 300...3900; (US) |
| Protection class | III |
| Sensor supply US | |
| Max. current load total [A] | 3.6 |
| Inputs / outputs | |
| Total number of inputs and outputs | 8; (configurable) |
| Number of inputs and outputs | Number of digital inputs: 8; Number of digital outputs: 4 |
| Inputs | |
| Number of digital inputs | 8; (IO-Link Port Class A: 4 x 2) |



IO-Link master with PROFINET interface

IO-Link Master DL PN 4P IP69K

| | | |
|---|------|--|
| Switching level high | [M] | 11...28 |
| Switching level low | [M] | 0...5 |
| Digital inputs protected against short circuits | | yes |
| Outputs | | |
| Number of digital outputs | | 4; (IO-Link Port Class A: 4 x 1) |
| Max. current load per output | [mA] | 300 |
| Short-circuit proof | | yes |
| Interfaces | | |
| Communication interface | | Ethernet; IO-Link |
| Ethernet - PROFINET | | |
| Transmission standard | | 100Base-TX |
| Transmission rate | | 100 MBit/s |
| Protocol | | PROFINET |
| Factory settings | | IP address: 0.0.0.0 subnet mask: 0.0.0.0 gateway IP address: 0.0.0.0 MAC address: see type label |
| Note on interfaces | | CC-C (Conformance Class C) (IRT-Switch) Netload Class III SNMP (Simple Network Management Protocol) MRP (Media Redundancy Protocol) Supported network topologies: line ring |
| Ethernet - Internet of Things | | |
| Transmission standard | | 10Base-T; 100Base-TX |
| Transmission rate | | 10 MBit/s; 100 MBit/s |
| Protocol | | MQTT JSON |
| Factory settings | | IP address: 169.254.x.x subnet mask: 255.255.0.0 gateway IP address: 0.0.0.0 MAC address: see type label |
| Note on interfaces | | Secure protocol: HTTPS |
| IO-Link Master | | |
| Transmission type | | COM1 (4,8 kBaud); COM2 (38,4 kBaud); COM3 (230,4 kBaud) |
| IO-Link revision | | 1.1 |
| Number of ports class A | | 4 |
| Operating conditions | | |
| Ambient temperature | [°C] | -25...60 |
| Storage temperature | [°C] | -25...85 |
| Max. relative air humidity | [%] | 90 |
| Protection | | IP 65; IP 66; IP 67; IP 69K; (operation with stainless steel protective caps: IP 69K) |
| Protection rating (NEMA 250) | | 6P |
| Pollution degree | | 2 |

AL1301



IO-Link master with PROFINET interface

IO-Link Master DL PN 4P IP69K

| | | |
|----------------|--------------------------------|-------------------------------|
| Chemical media | ISO 16750-5 NEMA 250 5.13.1 | HLP, CC, DB, DC, DD, CA AA |
|----------------|--------------------------------|-------------------------------|

Tests / approvals

| | | |
|----------------------|---|----|
| EMC | EN 61000-6-2 EN 61000-6-4 | |
| Shock resistance | DIN EN 60068-2-27 | |
| Vibration resistance | DIN EN 60068-2-64 2009-04 DIN EN 60068-2-6 2008-10 | |
| MTTF [years] | | 95 |

Mechanical data

| | |
|------------------|---|
| Weight [g] | 314 |
| Materials | housing: PA grey; socket: stainless steel (1.4404 / 316L) |
| Sealing material | EPDM |

Accessories

| | |
|----------------|--|
| Items supplied | Protective cap: 1 x M12, stainless steel, E12542 |
|----------------|--|

Remarks

| | |
|---------------|--|
| Remarks | For further information please see the operating instructions. |
| Pack quantity | 1 pcs. |

Electrical connection - Ethernet

Connector: M12; coding: D; Sealing: EPDM



PROFINET X21, X22

| | |
|---|----------|
| 1 | TX + |
| 2 | RX + |
| 3 | TX - |
| 4 | RX - |
| 5 | not used |

IoT X23

| | |
|---|----------|
| 1 | TX + |
| 2 | RX + |
| 3 | TX - |
| 4 | RX - |
| 5 | not used |

AL1301

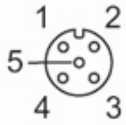


IO-Link master with PROFINET interface

IO-Link Master DL PN 4P IP69K

Electrical connection - Process connection

Connector: M12; coding: A; Sealing: EPDM



IO-Link Port Class A X01...X04

| | |
|---|-----------------------|
| 1 | Sensor supply (US) L+ |
| 2 | digital input |
| 3 | Sensor supply (US) L- |
| 4 | C/Q IO-Link |
| 5 | not used |

Electrical connection - power supply

Connector: M12; coding: A



X31

| | |
|---|----------------|
| 1 | + 24 V DC (US) |
| 2 | not used |
| 3 | GND (US) |
| 4 | not used |