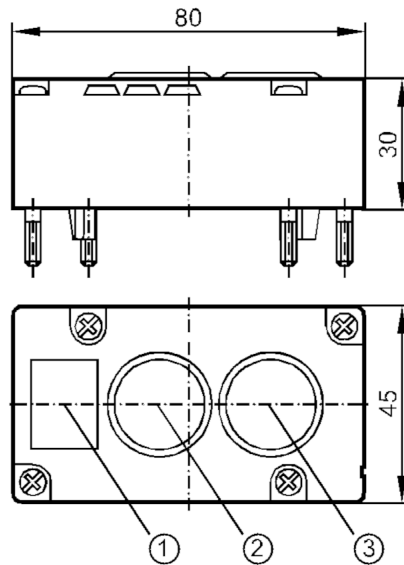




## AS-Interface illuminated pushbutton module

Moduloberteil aktiv,

Article no longer available - archive entry



- 1 panel for labelling
- 2 pushbutton / LED blue
- 3 pushbutton / LED blue



Electrical data					
Operating voltage	[V]	26.5...31.6 DC			
Current consumption	[mA]	< 55			
Outputs					
Electrical design		AS-i			
Operating conditions					
Ambient temperature	[°C]	-25...60			
Protection		IP 67			
Tests / approvals					
EMC		EN 50295			
AS-i classification					
AS-i profile		S-3.F			
AS-i I/O configuration	[hex]	3			
AS-i ID code	[hex]	F			
Assignment of the data bits	data bit	D0	D1	D2	D3
	pushbutton	2	1	-	-
	LED	-	-	2	1
Mechanical data					
Type of mounting		AS-i interface to FC and SC lower parts			
Materials		PBT			



## AS-Interface illuminated pushbutton module

Moduloberteil aktiv,

Remarks	
Remarks	The pushbuttons (EAO type 84) provide protection against accidental contact. Housing and pushbuttons can be labelled.
Pack quantity	1 pcs.

**Electrical connection**  
contact pins to module lower part, FK / PG: