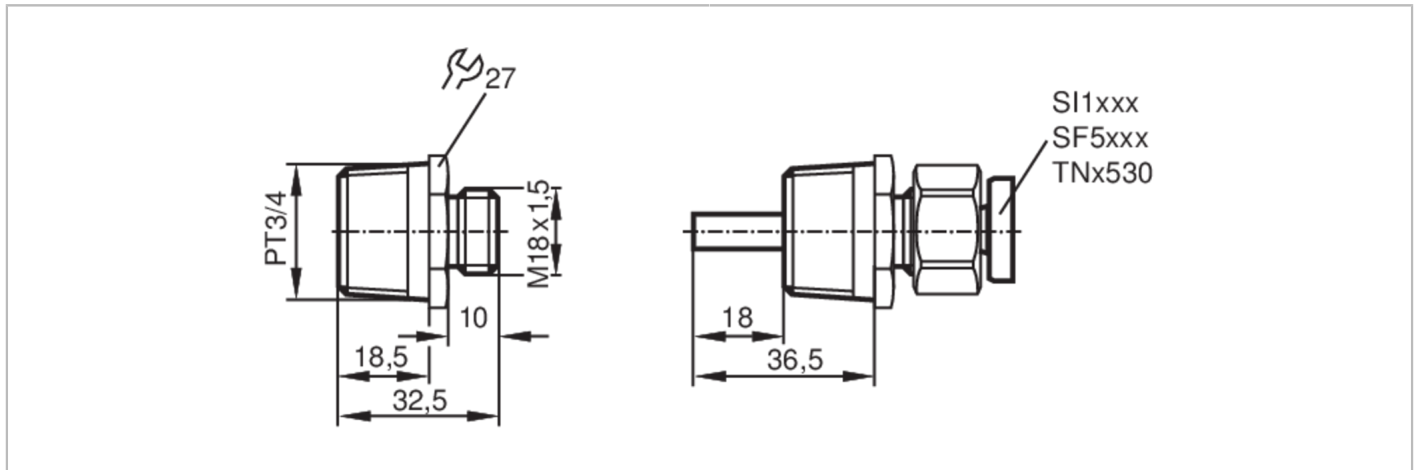


8E0512



Screw-in adapter for process sensors

ADTR, EO2, PT3/4



Mechanical data

Weight	[g]	90.718
Materials		stainless steel (1.4404 / 316L)
Sensor connection		M18 x 1,5
Process connection		PT 3/4

Remarks

Pack quantity		1 pcs.
---------------	--	--------