



EC0721

Anschlusskabel

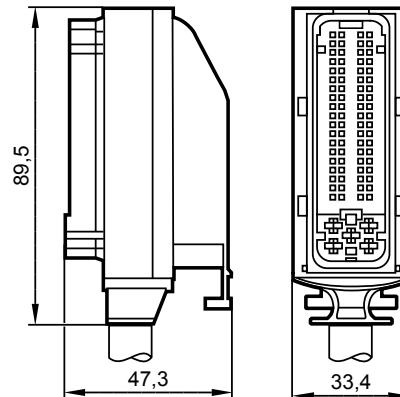
AMP 81-polig

B-codiert

72 Adern

konfektioniert

Kabellänge 250 cm



Darstellung
in montiertem Zustand

Technische Daten

Kabel

Leitungstyp

Kabellänge

Schutzschlauch

Schlauchdurchmesser

Material der Isolation

Temperaturbereich

Betriebsspannung

Adergruppierung
(jeweils mit Kabelbinder gebunden)

**z.B. geeignet für
ecomatController CR721S**

FLRY-B 0,5 / 0,75 / 2,5
(symmetrischer Aufbau, flexibel)
gem. Normen DIN 72551, Teil 5/6 und DIN ISO 6722

2,50 m

PVC-Schlauch, schwarz, Länge: 80 cm

≤ 25 mm

PVC

-40...105 °C

30 V AC / 36 V DC

- | | |
|---|--|
| 1 | 1-VBB5 (rot, 2,5 mm ²), 2-GND4 (braun, 2,5 mm ²), 3-VBB4 (rot, 2,5 mm ²), 4-VBB3 (rot, 2,5 mm ²), 5-GND3 (braun, 2,5 mm ²), 14-GND-ANA (braun, 0,75 mm ²), 48-GND-SYS (braun, 0,75 mm ²), 51-OUT3002 (blau, 0,75 mm ²), 52-GND-OVA (braun, 0,75 mm ²) |
| 2 | 6-IN1100 (weiß, 0,5 mm ²), 7-IN1101 (weiß, 0,5 mm ²), 8-IN1102 (weiß, 0,5 mm ²), 9-IN1103 (weiß, 0,5 mm ²), 10-IN1200 (weiß, 0,5 mm ²), 11-IN1201 (weiß, 0,5 mm ²), 12-IN1202 (weiß, 0,5 mm ²), 13-IN1203 (weiß, 0,5 mm ²) |
| 3 | 25-IN1300 (weiß, 0,5 mm ²), 26-IN1301 (weiß, 0,5 mm ²), 27-IN1302 (weiß, 0,5 mm ²), 28-IN1303 (weiß, 0,5 mm ²), 29-IN1400 (weiß, 0,5 mm ²), 30-IN1401 (weiß, 0,5 mm ²), 31-IN1402 (weiß, 0,5 mm ²), 32-IN1403 (weiß, 0,5 mm ²) |
| 4 | 36-IN1600 (weiß, 0,5 mm ²), 37-IN1601 (weiß, 0,5 mm ²), 38-IN1602 (weiß, 0,5 mm ²), 39-IN1603 (weiß, 0,5 mm ²), 40-IN1700 (weiß, 0,5 mm ²), 41-IN1701 (weiß, 0,5 mm ²), 42-IN1702 (weiß, 0,5 mm ²), 43-IN1703 (weiß, 0,5 mm ²) |
| 5 | 44-IN1000 (weiß, 0,5 mm ²), 45-IN1001 (weiß, 0,5 mm ²), 46-IN1002 (weiß, 0,5 mm ²), 47-IN1003 (weiß, 0,5 mm ²) |
| 6 | 55-IN1800 (weiß, 0,5 mm ²), 56-IN1801 (weiß, 0,5 mm ²), 57-IN1802 (weiß, 0,5 mm ²), 58-IN1803 (weiß, 0,5 mm ²), 59-IN1500 (weiß, 0,5 mm ²), 60-IN1501 (weiß, 0,5 mm ²), 61-IN1502 (weiß, 0,5 mm ²), 62-IN1503 (weiß, 0,5 mm ²) |
| 7 | 16-OUT0300 (blau, 0,75 mm ²), 17-OUT0301 (blau, 0,75 mm ²), 18-OUT0302 (blau, 0,75 mm ²), 19-OUT0303 (blau, 0,75 mm ²), 20-OUT0304 (blau, 0,75 mm ²), 21-OUT0305 (blau, 0,75 mm ²), 22-OUT0306 (blau, 0,75 mm ²), 23-OUT0307 (blau, 0,75 mm ²), 24-OUT0308 (blau, 0,75 mm ²) |



EC0721	Technische Daten
Adergruppierung (Forts.)	<p>8 63-OUT0400 (blau, 0,75 mm²), 64-OUT0401 (blau, 0,75 mm²), 65-OUT0402 (blau, 0,75 mm²), 66-OUT0403 (blau, 0,75 mm²), 67-OUT0404 (blau, 0,75 mm²), 68-OUT0405 (blau, 0,75 mm²), 69-OUT0406 (blau, 0,75 mm²), 70-OUT0407 (blau, 0,75 mm²), 71-OUT0408 (blau, 0,75 mm²)</p> <p>9 73-OUT0500 (blau, 0,75 mm²), 74-OUT0501 (blau, 0,75 mm²), 75-OUT0502 (blau, 0,75 mm²), 76-OUT0503 (blau, 0,75 mm²), 77-OUT0504 (blau, 0,75 mm²), 78-OUT0505 (blau, 0,75 mm²), 79-OUT0506 (blau, 0,75 mm²), 80-OUT0507 (blau, 0,75 mm²), 81-OUT0508 (blau, 0,75 mm²)</p>
Stecker	
Typ	81-polig, verriegelbar und verpolsicher Typ AMP Kontakte AMP-Junior-Timer, Crimp-Anschluss
Schutzart	IP 67
Material	PBT-GF 15
Farbe	schwarz / rot



EC0721

Connection cable
AMP 81-pole
B-coded
72 cores
Wired
Cable length 250 cm

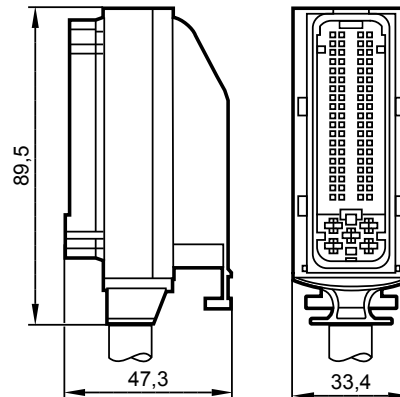


Illustration when mounted

Technical data

Cable

Cable type

Cable length

Protective sheath

Sheath diameter

Insulation material

Temperature range

Operating voltage

Core arrangement
(tied with cable ties)

e.g. suitable for
ecomatController CR721S

FLRY-B 0.5 / 0.75 / 2.5
(symmetrical design, flexible)
according to standards DIN 72551, parts 5/6 and DIN ISO 6722

2.50 m

PVC tube, black, length: 80 cm

≤ 25 mm

PVC

-40...105 °C

30 V AC / 36 V DC

- 1 1-VBB5 (red, 2.5 mm²), 2-GND4 (brown, 2.5 mm²), 3-VBB4 (red, 2.5 mm²), 4-VBB3 (red, 2.5 mm²), 5-GND3 (brown, 2.5 mm²), 14-GND-ANA (brown, 0.75 mm²), 48-GND-SYS (brown, 0.75 mm²), 51-OUT3002 (blue, 0.75 mm²), 52-GND-OVA (brown, 0.75 mm²)
- 2 6-IN1100 (white, 0.5 mm²), 7-IN1101 (white, 0.5 mm²), 8-IN1102 (white, 0.5 mm²), 9-IN1103 (white, 0.5 mm²), 10-IN1200 (white, 0.5 mm²), 11-IN1201 (white, 0.5 mm²), 12-IN1202 (white, 0.5 mm²), 13-IN1203 (white, 0.5 mm²)
- 3 25-IN1300 (white, 0.5 mm²), 26-IN1301 (white, 0.5 mm²), 27-IN1302 (white, 0.5 mm²), 28-IN1303 (white, 0.5 mm²), 29-IN1400 (white, 0.5 mm²), 30-IN1401 (white, 0.5 mm²), 31-IN1402 (white, 0.5 mm²), 32-IN1403 (white, 0.5 mm²)
- 4 36-IN1600 (white, 0.5 mm²), 37-IN1601 (white, 0.5 mm²), 38-IN1602 (white, 0.5 mm²), 39-IN1603 (white, 0.5 mm²), 40-IN1700 (white, 0.5 mm²), 41-IN1701 (white, 0.5 mm²), 42-IN1702 (white, 0.5 mm²), 43-IN1703 (white, 0.5 mm²)
- 5 44-IN1000 (white, 0.5 mm²), 45-IN1001 (white, 0.5 mm²), 46-IN1002 (white, 0.5 mm²), 47-IN1003 (white, 0.5 mm²)
- 6 55-IN1800 (white, 0.5 mm²), 56-IN1801 (white, 0.5 mm²), 57-IN1802 (white, 0.5 mm²), 58-IN1803 (white, 0.5 mm²), 59-IN1500 (white, 0.5 mm²), 60-IN1501 (white, 0.5 mm²), 61-IN1502 (white, 0.5 mm²), 62-IN1503 (white, 0.5 mm²)
- 7 16-OUT0300 (blue, 0.75 mm²), 17-OUT0301 (blue, 0.75 mm²), 18-OUT0302 (blue, 0.75 mm²), 19-OUT0303 (blue, 0.75 mm²), 20-OUT0304 (blue, 0.75 mm²), 21-OUT0305 (blue, 0.75 mm²), 22-OUT0306 (blue, 0.75 mm²), 23-OUT0307 (blue, 0.75 mm²), 24-OUT0308 (blue, 0.75 mm²)



EC0721	Technical data
Core arrangement (continued)	<p>8 63-OUT0400 (blue, 0.75 mm²), 64-OUT0401 (blue, 0.75 mm²), 65-OUT0402 (blue, 0.75 mm²), 66-OUT0403 (blue, 0.75 mm²), 67-OUT0404 (blue, 0.75 mm²), 68-OUT0405 (blue, 0.75 mm²), 69-OUT0406 (blue, 0.75 mm²), 70-OUT0407 (blue, 0.75 mm²), 71-OUT0408 (blue, 0.75 mm²)</p> <p>9 73-OUT0500 (blue, 0.75 mm²), 74-OUT0501 (blue, 0.75 mm²), 75-OUT0502 (blue, 0.75 mm²), 76-OUT0503 (blue, 0.75 mm²), 77-OUT0504 (blue, 0.75 mm²), 78-OUT0505 (blue, 0.75 mm²), 79-OUT0506 (blue, 0.75 mm²), 80-OUT0507 (blue, 0.75 mm²), 81-OUT0508 (blue, 0.75 mm²)</p>
Connector	
Type	<p>81 poles, can be locked and protected against reverse polarity type AMP AMP junior timer contacts, crimp connection</p>
Protection rating	IP 67
Material	PBT-GF 15
Colour	black / red



EC0721

Câble de raccordement

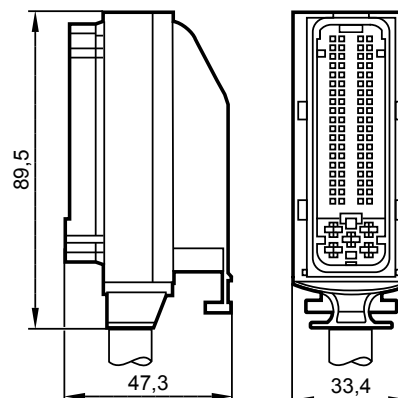
AMP 81 pôles

Codage B

72 fils

prêt à l'emploi

Longueur du câble 250 cm



Représentation
si monté

Données techniques

Câble

Type de câble

Longueur du câble

Gaine protectrice

Diamètre de la gaine

Matière isolante

Plage de température

Tension d'alimentation

Groupement des fils
(groupés par colliers)

par ex. approprié pour
ecomatController CR721S

FLRY-B 0,5 / 0,75 / 2,5
(structure symétrique, flexible)
selon les normes DIN 72551, parties 5/6, et DIN ISO 6722

2,50 m

gaine PVC souple, noir, longueur : 80 cm

≤ 25 mm

PVC

-40...105 °C

30 V AC / 36 V DC

- | | |
|---|--|
| 1 | 1-VBB5 (rouge, 2,5 mm ²), 2-GND4 (brun, 2,5 mm ²), 3-VBB4 (rouge, 2,5 mm ²), 4-VBB3 (rouge, 2,5 mm ²), 5-GND3 (brun, 2,5 mm ²), 14-GND-ANA (brun, 0,75 mm ²), 48-GND-SYS (brun, 0,75 mm ²), 51-OUT3002 (bleu, 0,75 mm ²), 52-GND-OVA (brun, 0,75 mm ²) |
| 2 | 6-IN1100 (blanc, 0,5 mm ²), 7-IN1101 (blanc, 0,5 mm ²), 8-IN1102 (blanc, 0,5 mm ²), 9-IN1103 (blanc, 0,5 mm ²), 10-IN1200 (blanc, 0,5 mm ²), 11-IN1201 (blanc, 0,5 mm ²), 12-IN1202 (blanc, 0,5 mm ²), 13-IN1203 (blanc, 0,5 mm ²) |
| 3 | 25-IN1300 (blanc, 0,5 mm ²), 26-IN1301 (blanc, 0,5 mm ²), 27-IN1302 (blanc, 0,5 mm ²), 28-IN1303 (blanc, 0,5 mm ²), 29-IN1400 (blanc, 0,5 mm ²), 30-IN1401 (blanc, 0,5 mm ²), 31-IN1402 (blanc, 0,5 mm ²), 32-IN1403 (blanc, 0,5 mm ²) |
| 4 | 36-IN1600 (blanc, 0,5 mm ²) et 37-IN1601 (blanc, 0,5 mm ²) , 38-IN1602 (blanc, 0,5 mm ²) et 39-IN1603 (blanc, 0,5 mm ²) , 40-IN1700 (blanc, 0,5 mm ²) et 41-IN1701 (blanc, 0,5 mm ²) , 42-IN1702 (blanc, 0,5 mm ²) et 43-IN1703 (blanc, 0,5 mm ²)) |
| 5 | 44-IN1000 (blanc, 0,5 mm ²), 45-IN1001 (blanc, 0,5 mm ²), 46-IN1002 (blanc, 0,5 mm ²), 47-IN1003 (blanc, 0,5 mm ²) |
| 6 | 55-IN1800 (blanc, 0,5 mm ²) et 56-IN1801 (blanc, 0,5 mm ²) , 57-IN1802 (blanc, 0,5 mm ²) et 58-IN1803 (blanc, 0,5 mm ²) , 59-IN1500 (blanc, 0,5 mm ²) et 60-IN1501 (blanc, 0,5 mm ²) , 61-IN1502 (blanc, 0,5 mm ²) et 62-IN1503 (blanc, 0,5 mm ²) |
| 7 | 16-OUT0300 (bleu, 0,75 mm ²), 17-OUT0301 (bleu, 0,75 mm ²), 18-OUT0302 (bleu, 0,75 mm ²), 19-OUT0303 (bleu, 0,75 mm ²), 20-OUT0304 (bleu, 0,75 mm ²), 21-OUT0305 (bleu, 0,75 mm ²), 22-OUT0306 (bleu, 0,75 mm ²), 23-OUT0307 (bleu, 0,75 mm ²), 24-OUT0308 (bleu, 0,75 mm ²) |



EC0721	Données techniques
Groupement des fils (suite)	<p>8 63-OUT0400 (bleu, 0,75 mm²), 64-OUT0401 (bleu, 0,75 mm²), 65-OUT0402 (bleu, 0,75 mm²), 66-OUT0403 (bleu, 0,75 mm²), 67-OUT0404 (bleu, 0,75 mm²), 68-OUT0405 (bleu, 0,75 mm²), 69-OUT0406 (bleu, 0,75 mm²), 70-OUT0407 (bleu, 0,75 mm²), 71-OUT0408 (bleu, 0,75 mm²)</p> <p>9 73-OUT0500 (bleu, 0,75 mm²), 74-OUT0501 (bleu, 0,75 mm²), 75-OUT0502 (bleu, 0,75 mm²), 76-OUT0503 (bleu, 0,75 mm²), 77-OUT0504 (bleu, 0,75 mm²), 78-OUT0505 (bleu, 0,75 mm²), 79-OUT0506 (bleu, 0,75 mm²), 80-OUT0507 (bleu, 0,75 mm²), 81-OUT0508 (bleu, 0,75 mm²)</p>
Connecteur	
Type	81 pôles, verrouillable et protégé contre l'inversion de polarité type AMP contacts AMP Junior Timer, raccordement crimp
Indice de protection	IP 67
Matière	PBT-GF 15
Couleur	noir / rouge